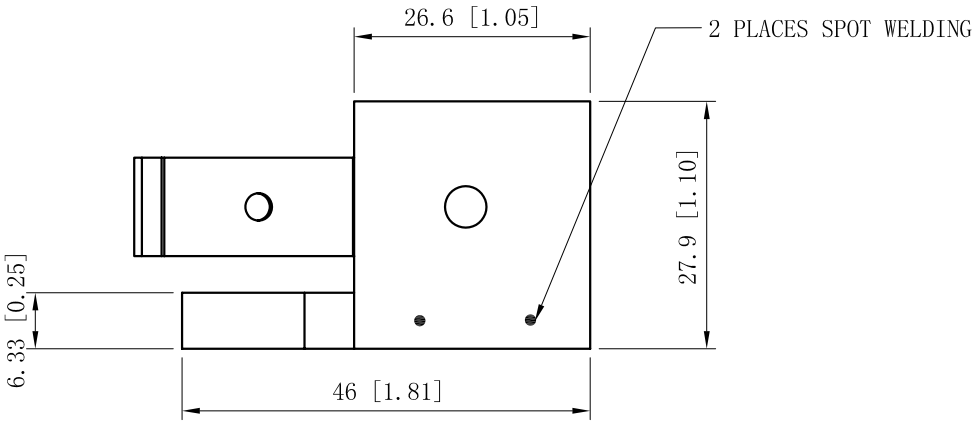
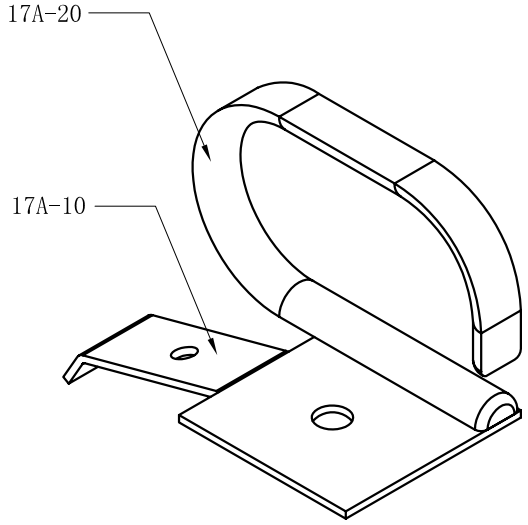
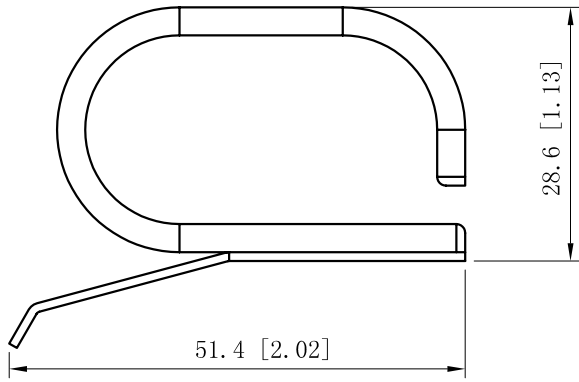


SIDES	BOTTOM
Material:Steel-0.04"-C. R. S Powdered Coating White	



This data sheet is for reference only .GARVIN INDUSTRIES reserves the right to make changes to the design without prior notice.

DESCRIPTION
TRADE REFERENCE TERMS

STANDARD PACKING
100 PCS

<b>GARVIN INDUSTRIES</b>			
TITLE BACKBOARD DISTRIBUTION "D" RINGS			
SIZE A4	DWG NO. 17AW	REV A	
DATA SHEET			