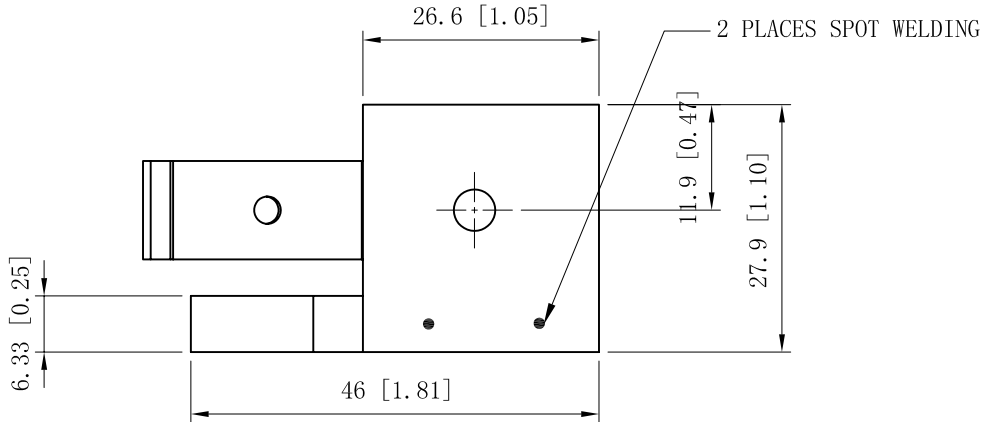
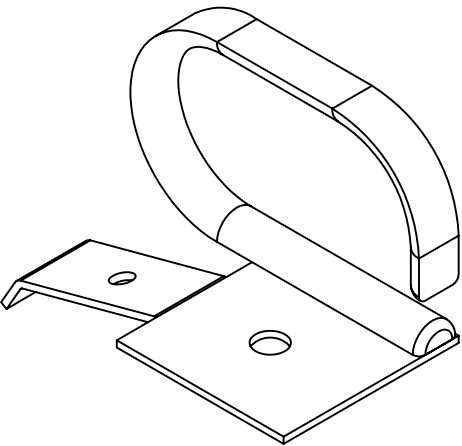
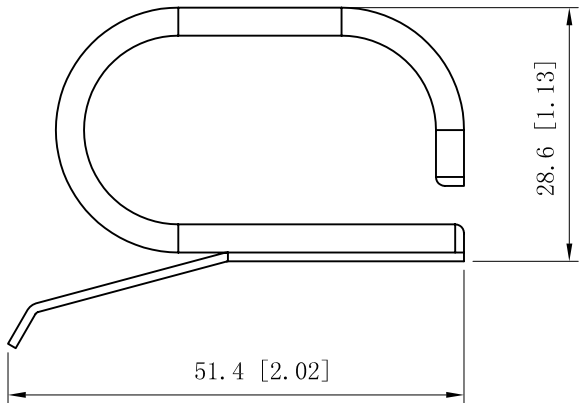


SIDES	BOTTOM
Material:Steel-0.04"-G60 OLIVE DRAB POWDER COATING	



This data sheet is for reference only .GARVIN INDUSTRIES reserves the right to make changes to the design without prior notice.

DESCRIPTION
TRADE REFERENCE TERMS

STANDARD PACKING
100 PCS

<b>GARVIN INDUSTRIES</b>		
TITLE BACKBOARD DISTRIBUTION "D" RINGS		
SIZE A4	DWG NO. 17A	REV C
DATA SHEET		