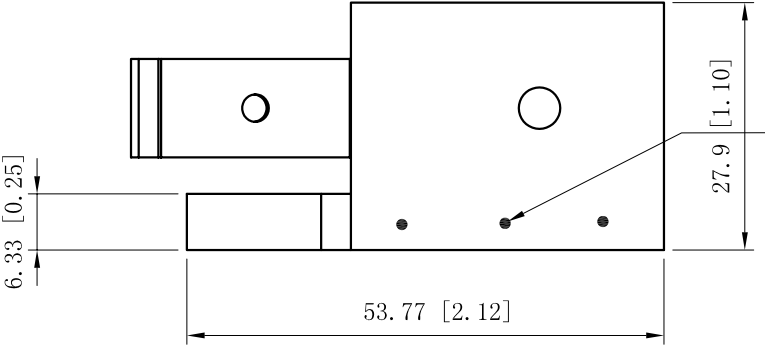
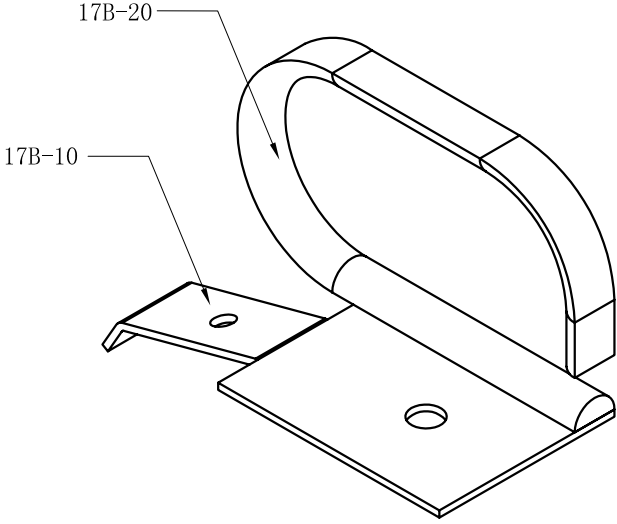
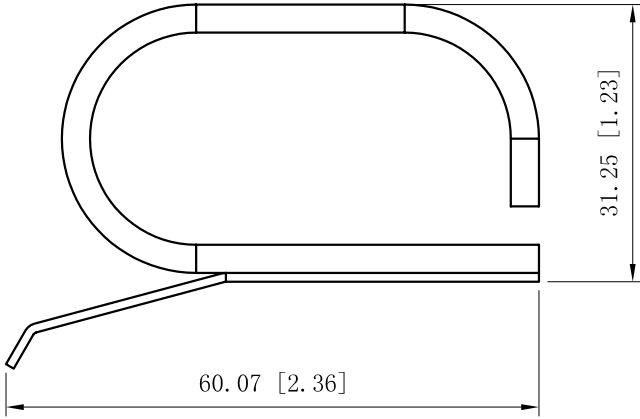


SIDES	BOTTOM
Material:Steel-0.04"-C. R. S Powder Coating White	



3 PLACES SPOT WELDING

This data sheet is for reference only .GARVIN INDUSTRIES reserves the right to make changes to the design without prior notice.

DESCRIPTION
TRADE REFERENCE TERMS

STANDARD PACKING
100 PCS

GARVIN INDUSTRIES		
TITLE BACKBOARD DISTRIBUTION "D" RINGS		
SIZE A4	DWG NO. 17BW	REV A
DATA SHEET		