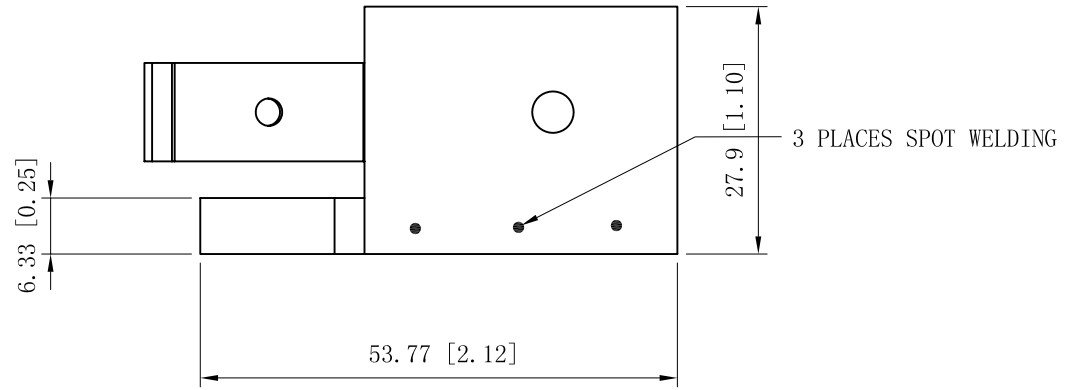
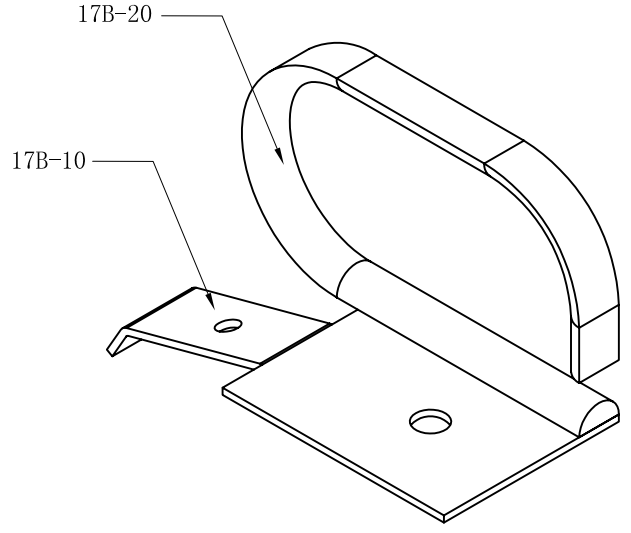
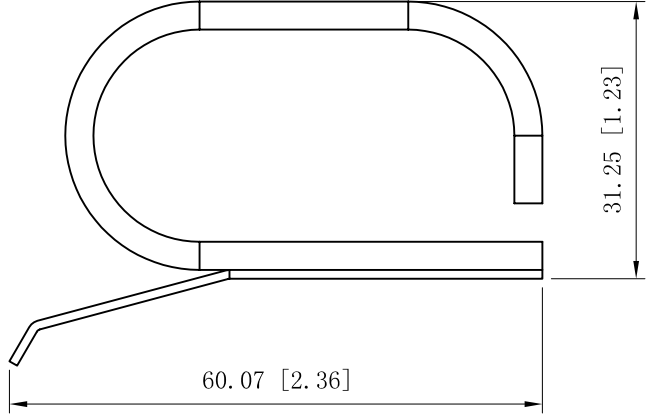


SIDES	BOTTOM
Material:Steel-0.04"-C. R. S OLIVE DRAB POWDER COATING	



This data sheet is for reference only .GARVIN INDUSTRIES reserves the right to make changes to the design without prior notice.

DESCRIPTION
TRADE REFERENCE TERMS

STANDARD PACKING
100 PCS

<b>GARVIN INDUSTRIES</b>		
TITLE <b>BACKBOARD DISTRIBUTION "D" RINGS</b>		
SIZE A4	DWG NO. 17B	REV C
DATA SHEET		