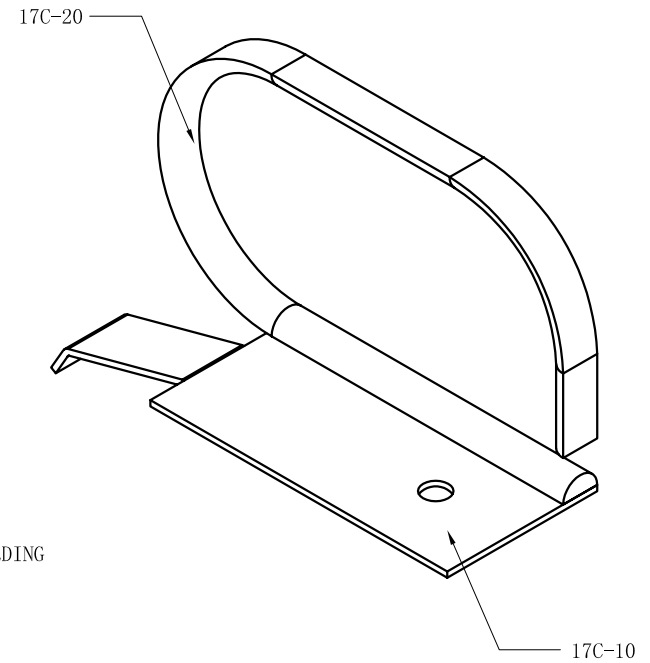
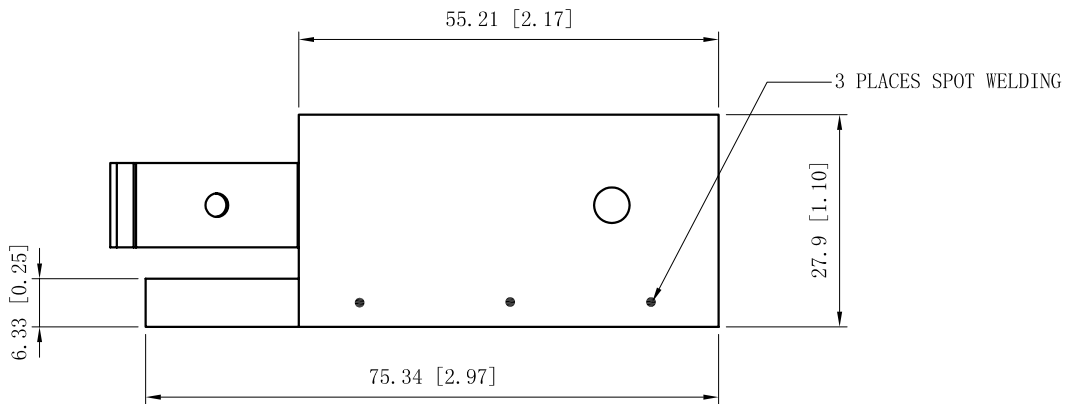
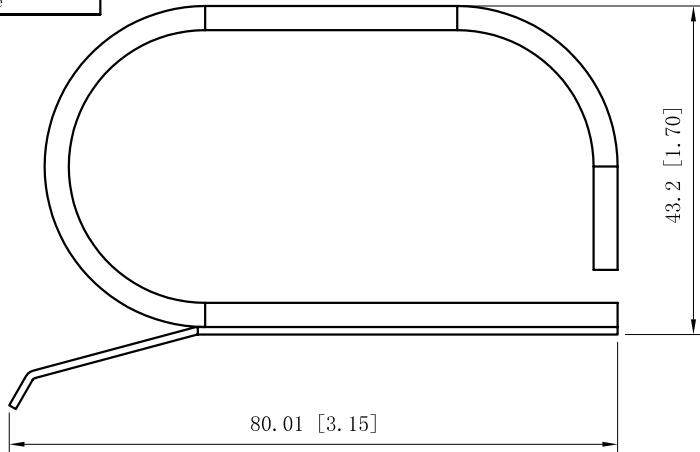


SIDES	BOTTOM
Material:Steel-0.04"-C. R. S Powder Cotaing White	



This data sheet is for reference only .GARVIN INDUSTRIES reserves the right to make changes to the design without prior notice.

DESCRIPTION
TRADE REFERENCE TERMS

STANDARD PACKING
100 PCS

TITLE			REV		
GARVIN INDUSTRIES			A		
BACKBOARD DISTRIBUTION "D" RINGS					
SIZE	DWG NO.				
A4	17CW				
DATA SHEET					