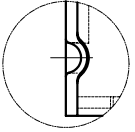
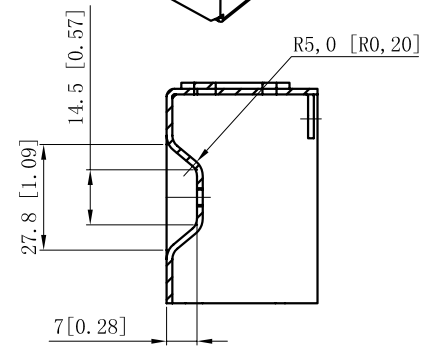
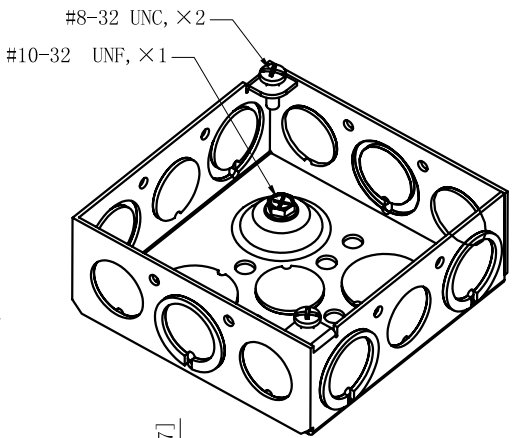
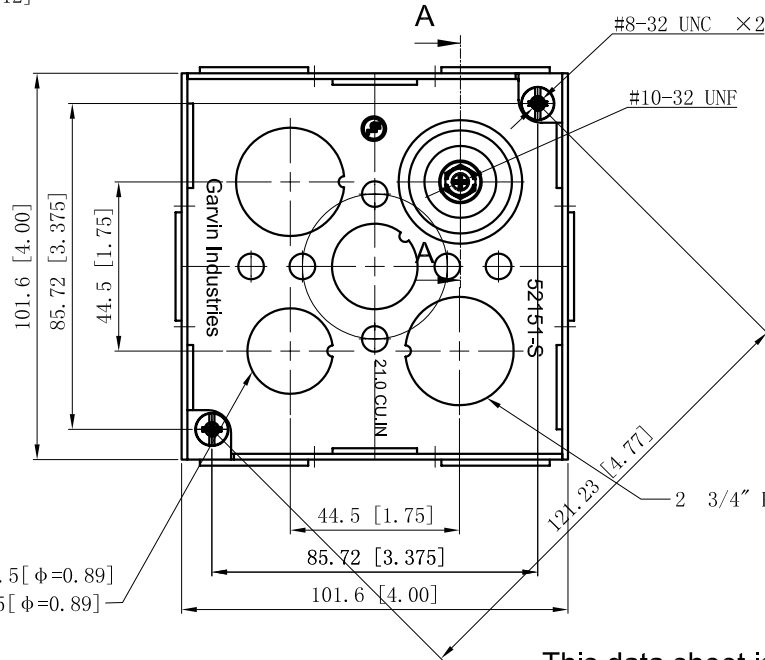
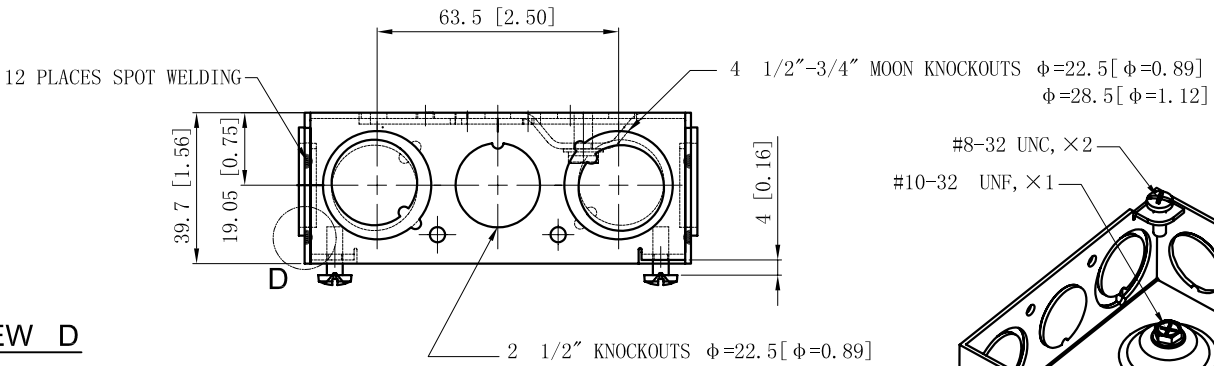
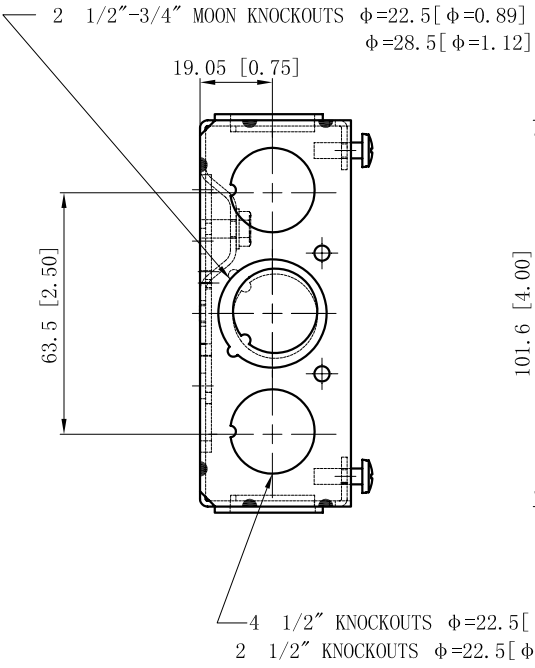


SIDES	BOTTOM
6 1/2" KNOCKOUTS	2 1/2" KNOCKOUTS
6 1/2"-3/4" MOON KNOCKOUTS	2 1/2"-3/4" MOON KNOCKOUTS
	1 Ground Hump
2 PCS 8-32x1/2 Screws Installed	
1 PCS 10-32x3/8 Screws Installed	
Material: Steel-0.0625"-G60 Galvanized	



WELDING STYLE DETAIL VIEW D



CUTAWAY VIEW A-A

This data sheet is for reference only. GARVIN INDUSTRIES reserves the right to make changes to the design without prior notice.

DESCRIPTION
TRADE REFERENCE TERMS

STANDARD PACKING
50 PCS

GARVIN INDUSTRIES		
TITLE 4" SQUARE BOXES (1-1/2" DEEP)		
SIZE A4	DWG NO. 52151-RED	REV
DATA SHEET		