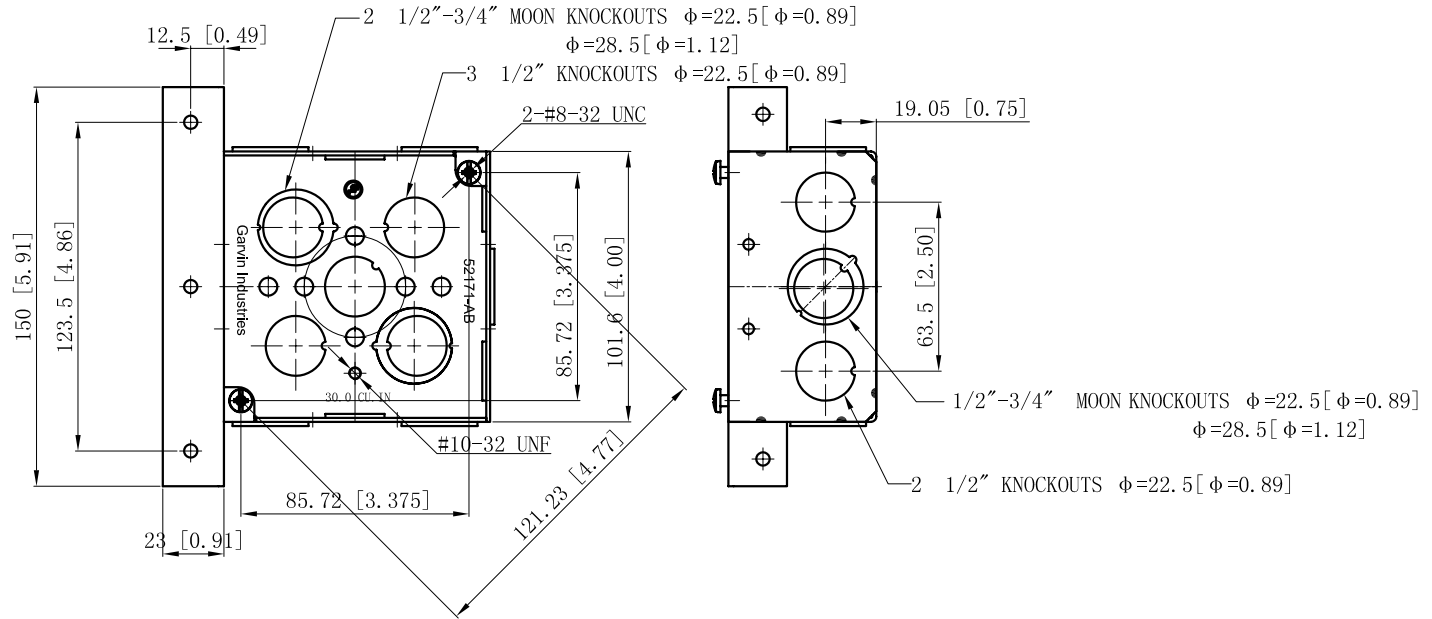
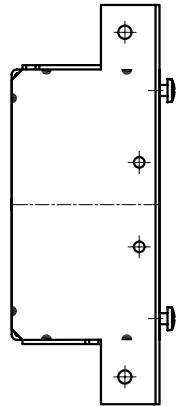
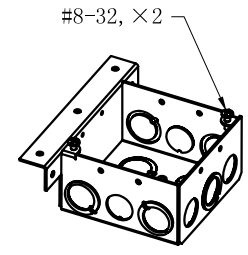
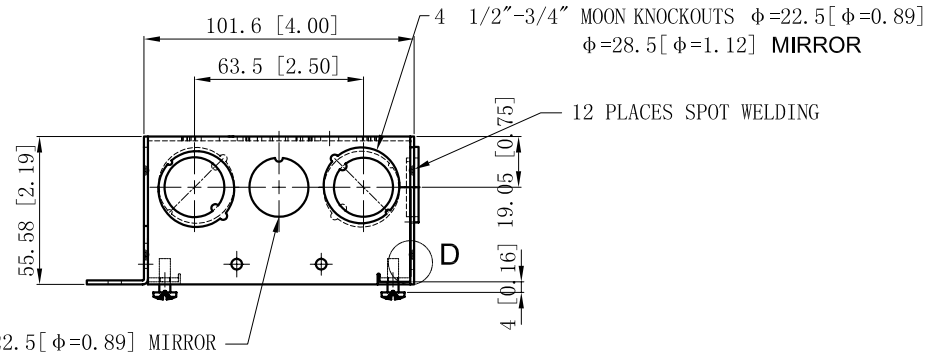


<b>SIDES</b>	<b>BOTTOM</b>
4 1/2" KNOCKOUTS	3 1/2" KNOCKOUTS
5 1/2"-3/4" MOON KNOCKOUTS	2 1/2"-3/4" MOON KNOCKOUTS
2 PCS 8-32x1/2 Screws Installed	
Material: Steel-0.0625"-G60 Galvanized	



**WELDING STYLE DETAIL VIEW D**



This data sheet is for reference only .GARVIN INDUSTRIES reserves the right to make changes to the design without prior notice.

<b>DESCRIPTION</b>
<b>TRADE REFERENCE TERMS</b>

<b>STANDARD PACKING</b>
25 PCS

<b>GARVIN INDUSTRIES</b>		
<b>4" SQUARE BRACKET BOXES (2-1/8" DEEP)</b>		
<b>TITLE</b>	<b>DWG NO.</b>	<b>REV</b>
	52171-AB	A
<b>SIZE</b>	<b>DATA SHEET</b>	
A4		