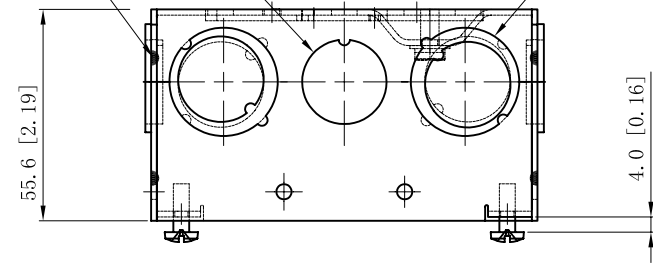
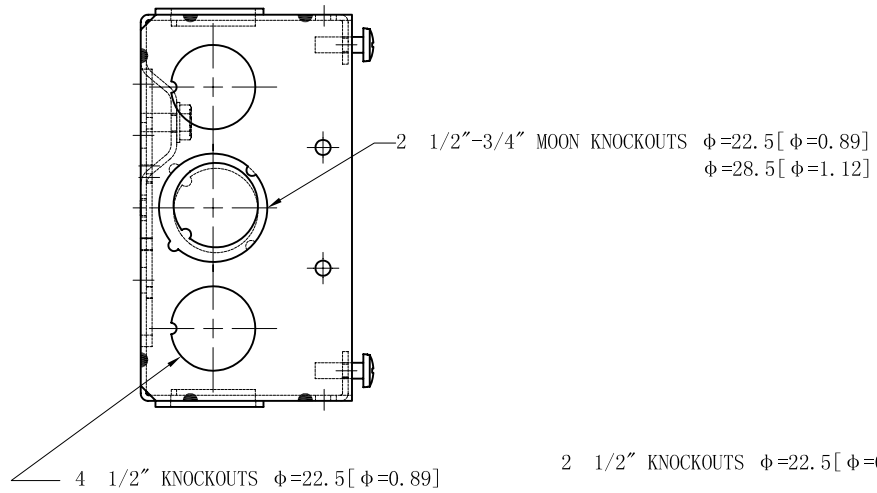
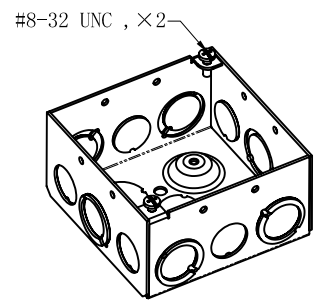
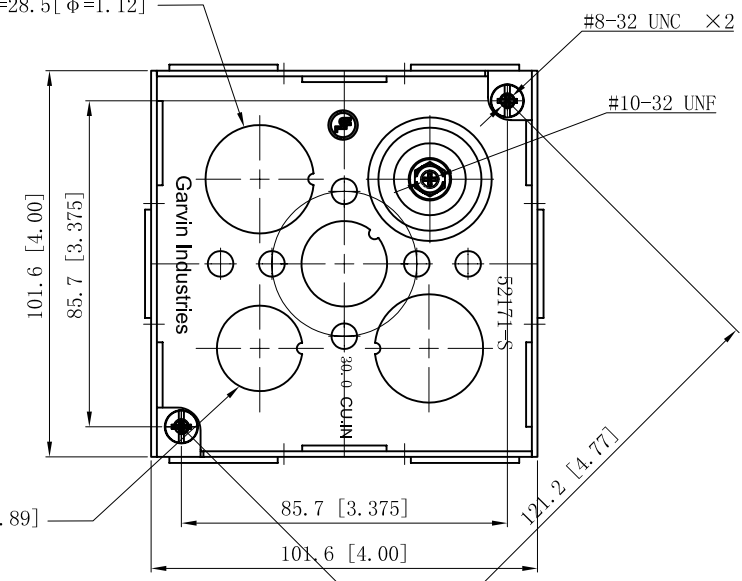


SIDES	BOTTOM
6 1/2"-3/4" MOON KNOCKOUTS	2 1/2" KNOCKOUTS
6 1/2" KNOCKOUTS	2 3/4" KNOCKOUTS
	1 Ground Hump
2 PCS 8-32x1/2 Screws Installed	
Material: Steel-0.0625"-G60 Galvanized	

2 1/2" KNOCKOUTS $\phi=22.5 [\phi=0.89]$
 12 PLACES SPOT WELDING
 4 1/2"-3/4" MOON KNOCKOUTS $\phi=22.5 [\phi=0.89]$
 $\phi=28.5 [\phi=1.12]$



2 3/4" KNOCKOUTS $\phi=28.5 [\phi=1.12]$



2 1/2" KNOCKOUTS $\phi=22.5 [\phi=0.89]$

This data sheet is for reference only. GARVIN INDUSTRIES reserves the right to make changes to the design without prior notice.

DESCRIPTION
TRADE REFERENCE TERMS

STANDARD PACKING
25 PCS

GARVIN INDUSTRIES			
TITLE 4" SQUARE BOXES 2-1/8" DEEP			
SIZE A4	DWG NO. 52171-RED	REV A	
DATA SHEET			