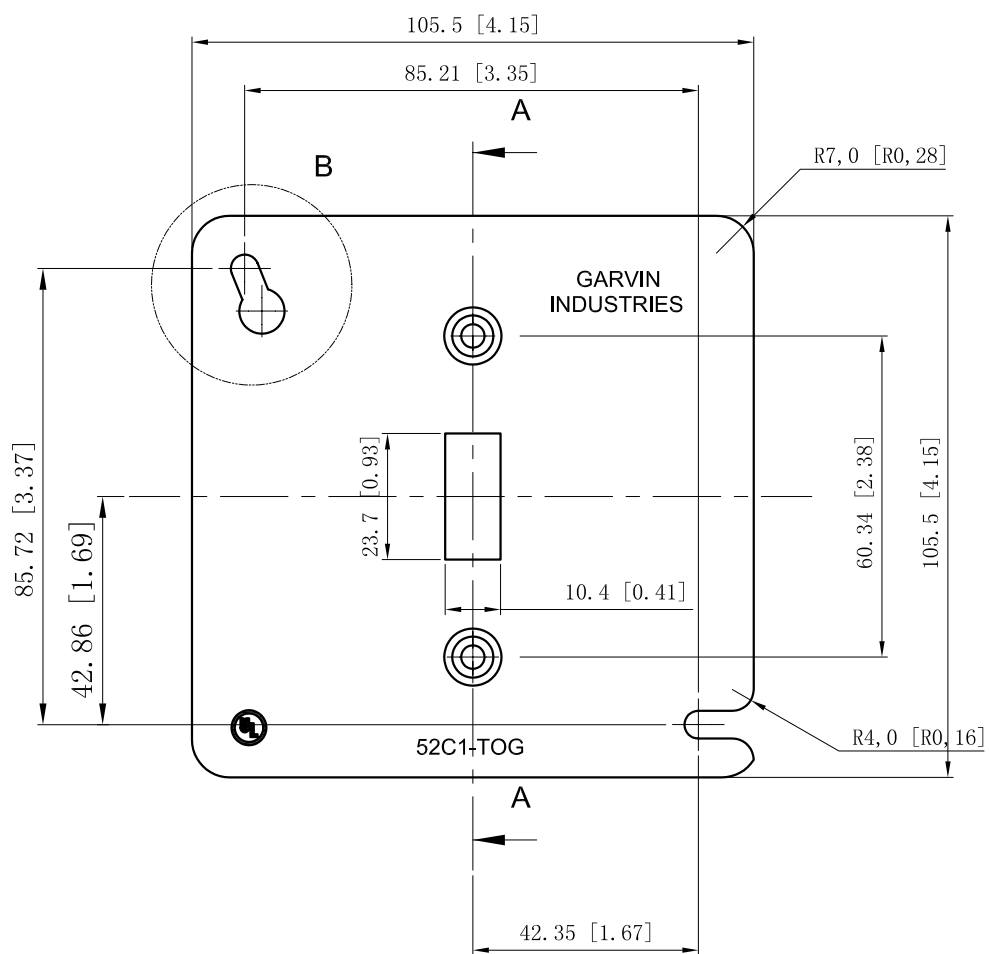
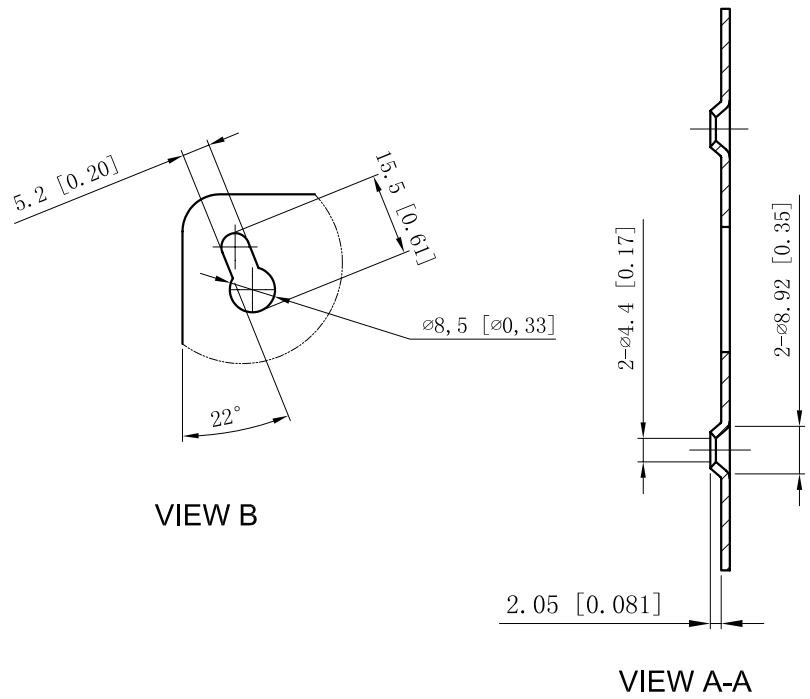


SIDES	BOTTOM
Material: Steel-0.0625"-G60 Galvanized	



This data sheet is for reference only .GARVIN INDUSTRIES reserves the right to make changes to the design without prior notice.

DESCRIPTION
TRADE REFERENCE TERMS

STANDARD PACKING	<h1>GARVIN INDUSTRIES</h1>		
50 PCS			
TITLE	4" SQUQRE FLAT BOX COVERS		
SIZE	DWG NO.	REV	
A4	52C1-TOG		
DATA SHEET			