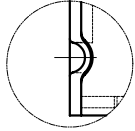
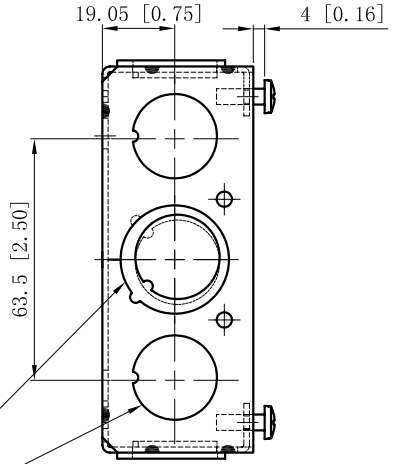


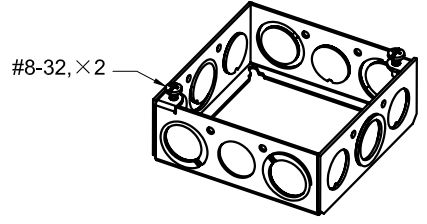
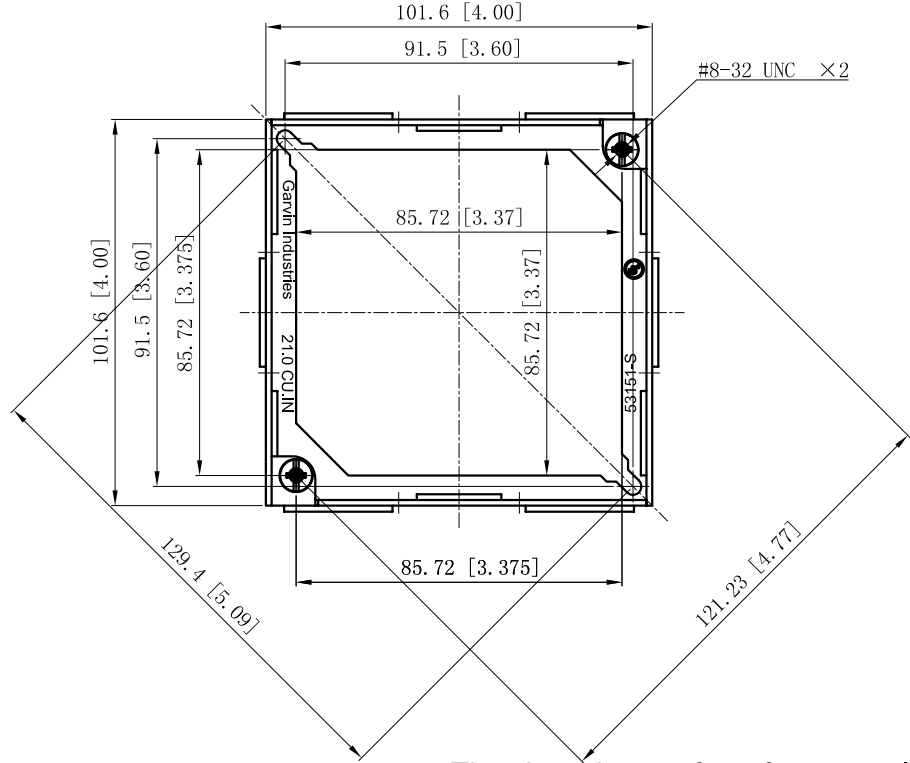
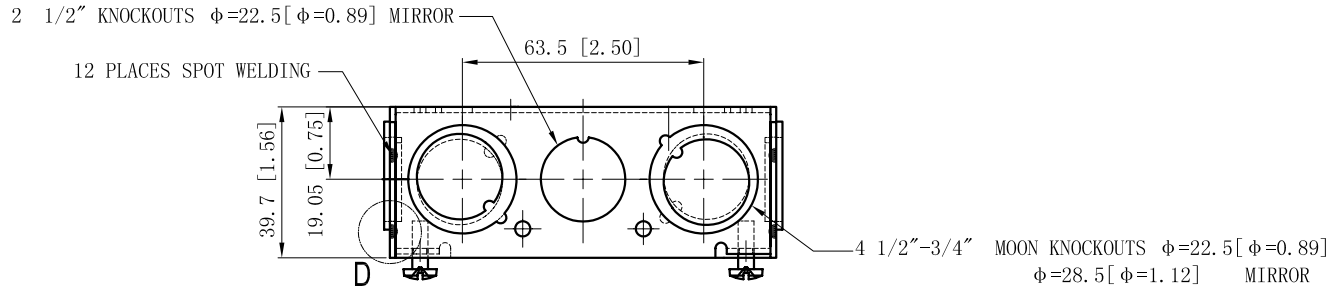
SIDES	BOTTOM
6 1/2" KNOCKOUTS	
6 1/2"-3/4" MOON KNOCKOUTS	
2 PCS 8-32x1/2 Screws Installed	
Material: Steel-0.0625"-G60 Galvanized	



**WELDING STYLE DETAIL VIEW D**



4 1/2" KNOCKOUTS  $\phi=22.5 [\phi=0.89]$  MIRROR  
 2 1/2"-3/4" MOON KNOCKOUTS  $\phi=22.5 [\phi=0.89]$   
 $\phi=28.5 [\phi=1.12]$  MIRROR



This data sheet is for reference only. GARVIN INDUSTRIES reserves the right to make changes to the design without prior notice.

DESCRIPTION
TRADE REFERENCE TERMS

STANDARD PACKING
50 PCS

<b>GARVIN INDUSTRIES</b>		
TITLE 4" SQUARE EXTENSION RINGS 1-1/2" DEEP		
SIZE A4	DWG NO. 53151-RED	REV
DATA SHEET		