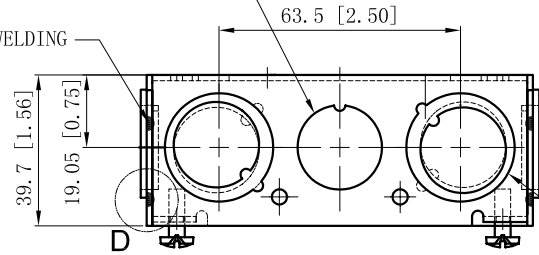


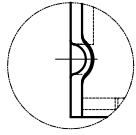
SIDES	BOTTOM
6 1/2" KNOCKOUTS	
6 1/2"-3/4" MOON KNOCKOUTS	
2 PCS 8-32x1/2 Screws Installed	
Material: Steel-0.0625"-G60 Galvanized	

2 1/2" KNOCKOUTS $\varnothing=22.5[\varnothing=0.89]$ MIRROR

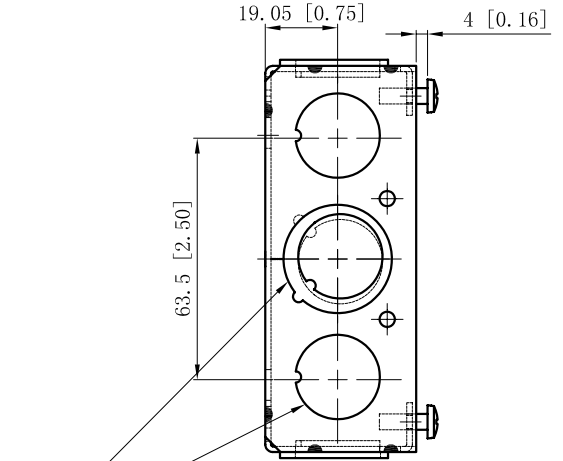
12 PLACES SPOT WELDING



4 1/2"-3/4" MOON KNOCKOUTS $\varnothing=22.5[\varnothing=0.89]$
 $\varnothing=28.5[\varnothing=1.12]$ MIRROR

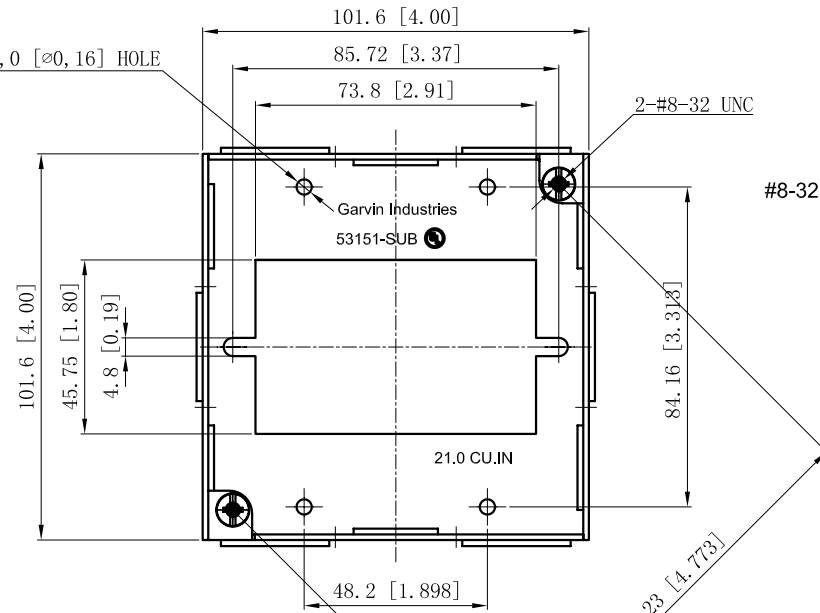


WELDING STYLE DETAIL VIEW D

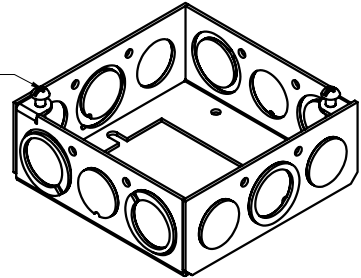


4 1/2" KNOCKOUTS $\varnothing=22.5[\varnothing=0.89]$ MIRROR
 2 1/2"-3/4" MOON KNOCKOUTS $\varnothing=22.5[\varnothing=0.89]$
 $\varnothing=28.5[\varnothing=1.12]$ MIRROR

4- $\varnothing 4.0[\varnothing 0.16]$ HOLE



#8-32, x2



This data sheet is for reference only. GARVIN INDUSTRIES reserves the right to make changes to the design without prior notice.

DESCRIPTION
TRADE REFERENCE TERMS

STANDARD PACKING
50 PCS

GARVIN INDUSTRIES		
TITLE 4" SQUARE EXTENSION RINGS 1-1/2" DEEP		
SIZE A4	DWG NO. 53151-SUB	REV
DATA SHEET		