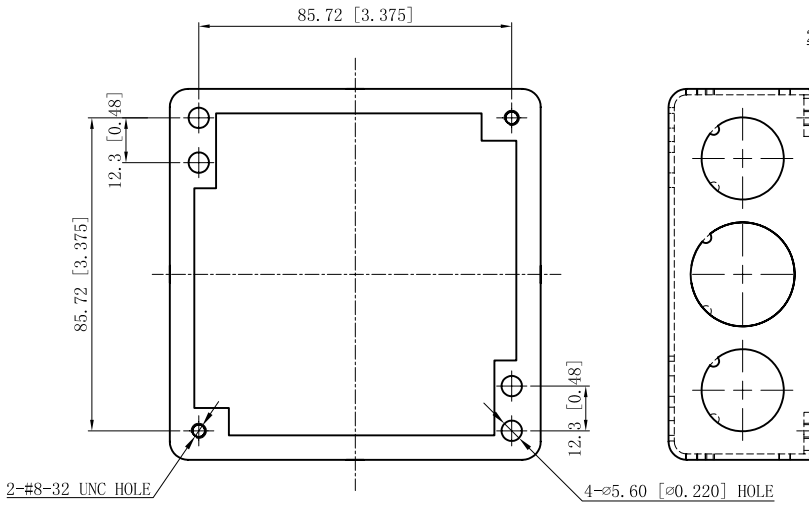
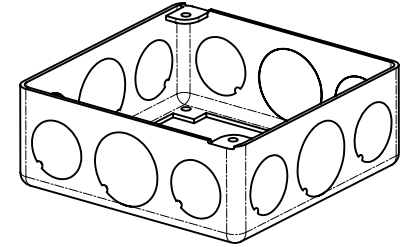
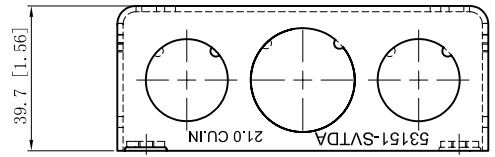
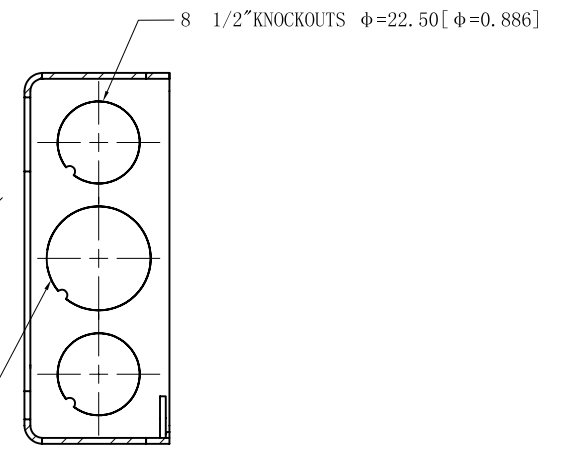
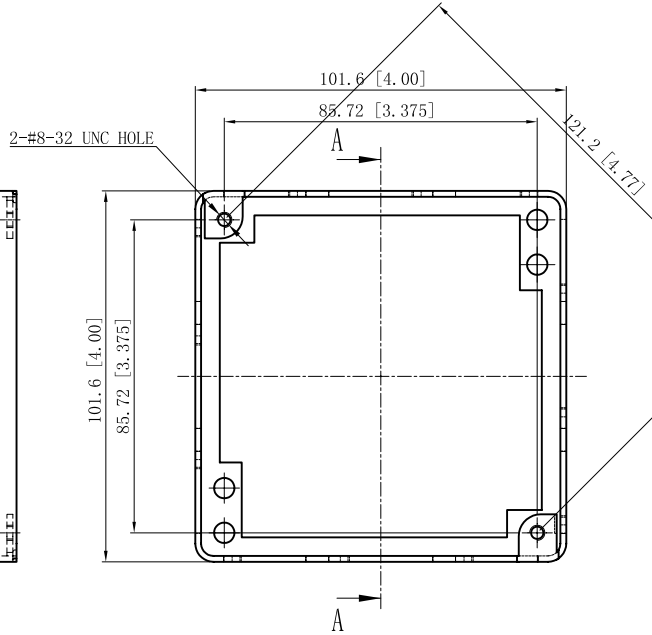


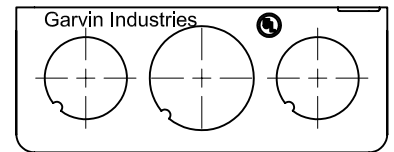
| | |
|--|---------------|
| SIDES | BOTTOM |
| 8 1/2" KNOCKOUTS | |
| 4 3/4" KNOCKOUTS | |
| Material: Steel-0.0625"-G60 Galvanized | |



BACK VIEW



CUTAWAY VIEW A-A



| |
|-----------------------|
| DESCRIPTION |
| |
| TRADE REFERENCE TERMS |
| |

This data sheet is for reference only .GARVIN INDUSTRIES reserves the right to make changes to the design without prior notice.

| | | | |
|------------------|--|-------------|-----|
| STANDARD PACKING | <h1 style="text-align: center;">GARVIN INDUSTRIES</h1> | | |
| | | | |
| 50 PCS | SIZE | DWG NO. | REV |
| | A4 | 53151-SVTDA | |
| DATA SHEET | | | |