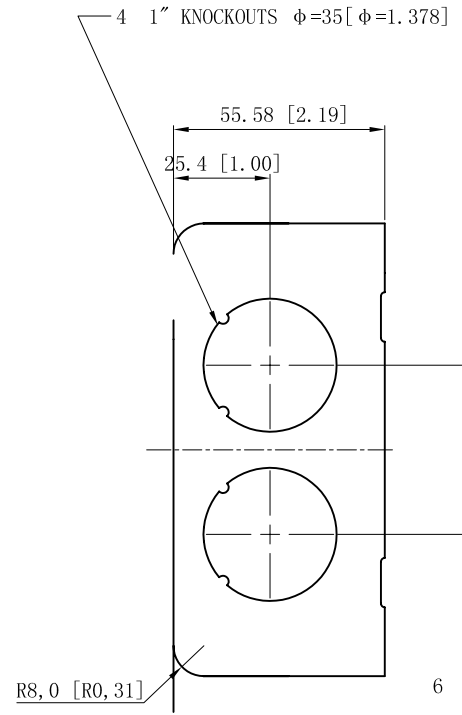
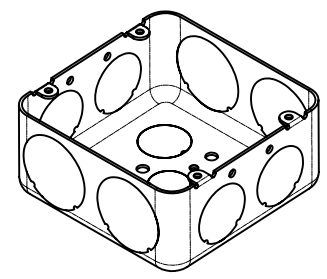
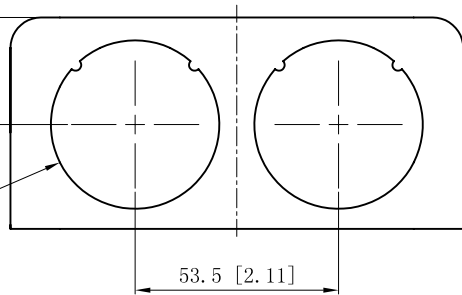


SIDES	BOTTOM
4 1" KNOCKOUTS	6 KNOCKOUTS
4 1 1/4" KNOCKOUTS	3 1/2" KNOCKOUTS
	2 3/4" KNOCKOUTS
2 PCS 8-32X1/2 Screws Installed	
Material: Steel-0.0625"-G60 Galvanized	

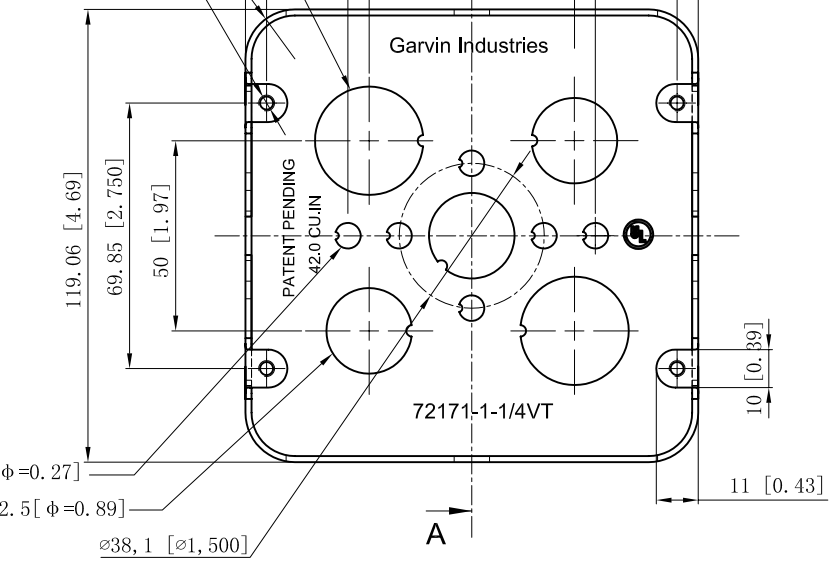
4 1 1/4" KNOCKOUTS  $\phi=44.3$  [ $\phi=1.744$ ]



2 3/4" KNOCKOUTS  $\phi=28.5$  [ $\phi=1.12$ ]

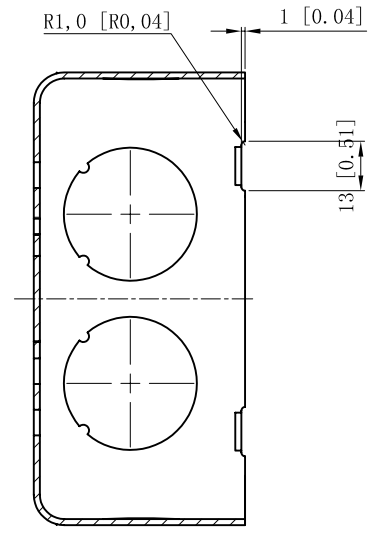
R13,0 [R0,51]

4-#8-32 UNC HOLE



6 KNOCKOUTS  $\phi=6.75$  [ $\phi=0.27$ ]

3 1/2" KNOCKOUTS  $\phi=22.5$  [ $\phi=0.89$ ]



CUTAWAY VIEW A-A

DESCRIPTION
TRADE REFERENCE TERMS

This data sheet is for reference only. GARVIN INDUSTRIES reserves the right to make changes to the design without prior notice.

STANDARD PACKING	GARVIN INDUSTRIES		
25 PCS	SIZE	DWG. NO.	REV
	A4	72171-1-1/4VT	A
DATA SHEET			