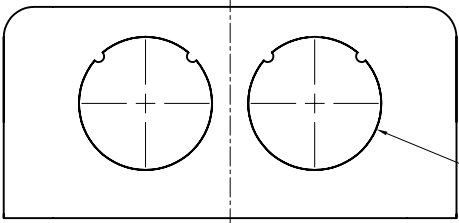
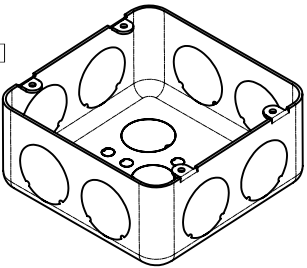


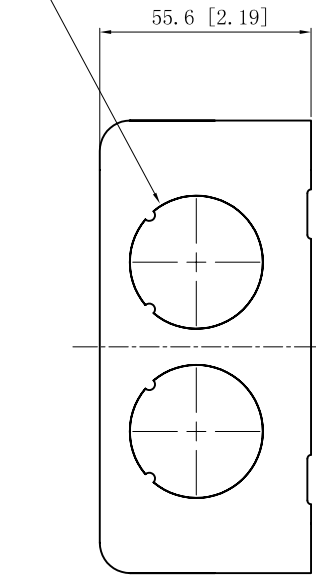
<b>SIDES</b>	<b>BOTTOM</b>
8 1" KNOCKOUTS	6 KNOCKOUTS
	3 1/2" KNOCKOUTS
	2 3/4" KNOCKOUTS
Material: Steel-0.0625"-G60 Galvanized	



4×1" KNOCKOUTS  $\phi=35$  [ $\phi=1.378$ ]  
MIRROR

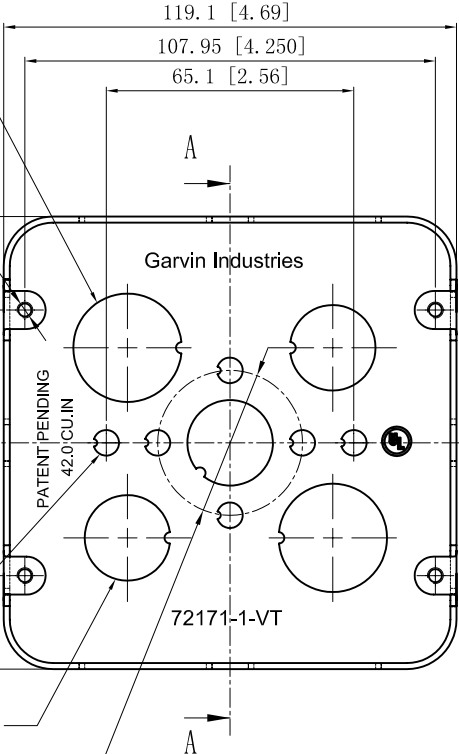


4×1" KNOCKOUTS  $\phi=35.00$  [ $\phi=1.378$ ]  
MIRROR



2×3/4" KNOCKOUTS  $\phi=28.50$  [ $\phi=1.122$ ]

4-#8-32 UNC HOLE



Garvin Industries

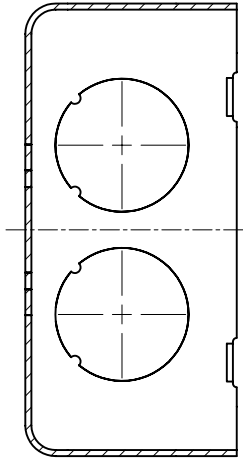
PATENT PENDING  
42.0 CU. IN

72171-1-VT

6×KNOCKOUTS  $\phi=6.75$  [ $\phi=0.267$ ]

3×1/2" KNOCKOUTS  $\phi=22.50$  [ $\phi=0.886$ ]

$\phi 38.1$  [ $\phi 1.500$ ]



CUTAWAY VIEW A-A

DESCRIPTION
TRADE REFERENCE TERMS

This data sheet is for reference only. GARVIN INDUSTRIES reserves the right to make changes to the design without prior notice.

STANDARD PACKING	<b>GARVIN INDUSTRIES</b>		
	TITLE 4-11/16" SQUARE "DRAWN" BOXES (2-1/8" DEEP)		
25 PCS	SIZE	DWG NO.	REV
	A4	72171-1-VT	B
DATA SHEET			