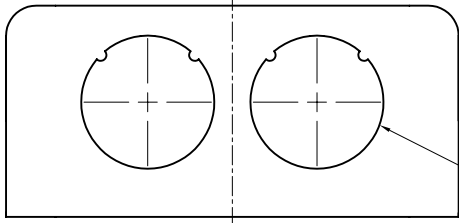
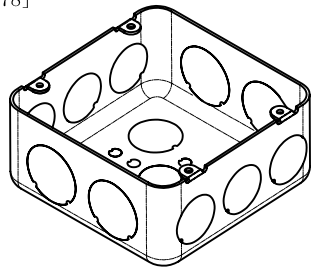


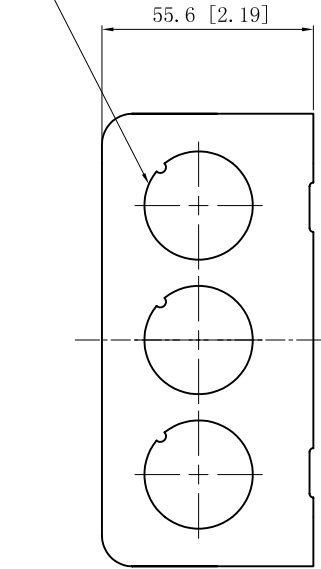
SIDES	BOTTOM
6 3/4" KNOCKOUTS	6 KNOCKOUTS
4 1" KNOCKOUTS	3 1/2" KNOCKOUTS
	2 3/4" KNOCKOUTS
Material: Steel-0.0625"-G60 Galvanized	



4×1" KNOCKOUTS $\phi=35.00$ [$\phi=1.378$]
MIRROR

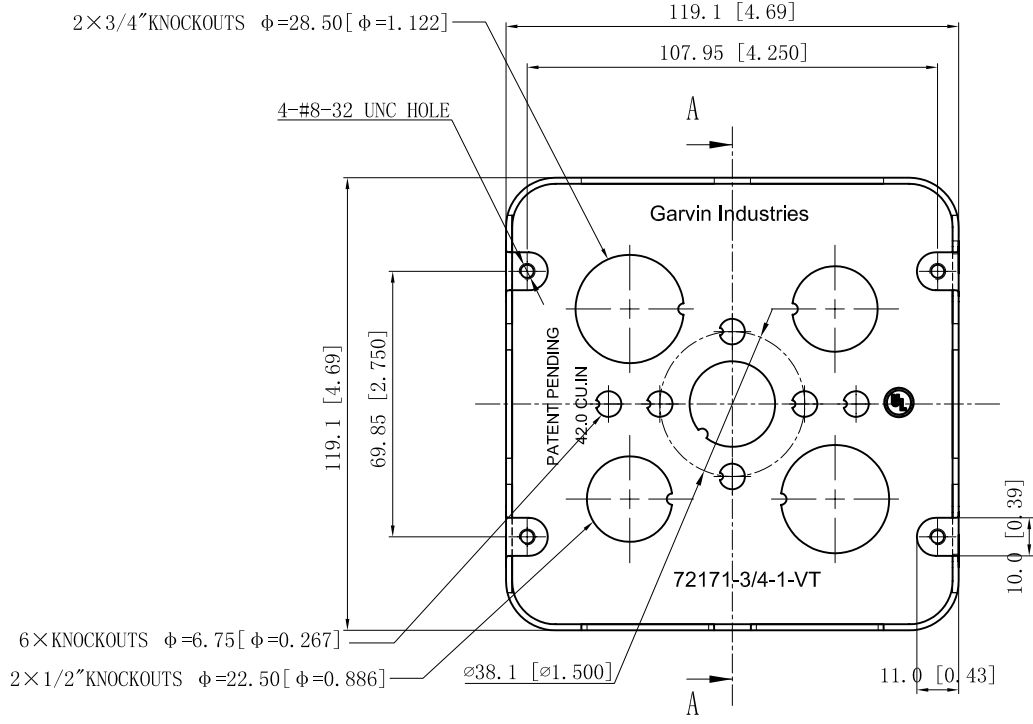


6×3/4" KNOCKOUTS $\phi=28.50$ [$\phi=1.122$]
MIRROR



2×3/4" KNOCKOUTS $\phi=28.50$ [$\phi=1.122$]

4-#8-32 UNC HOLE



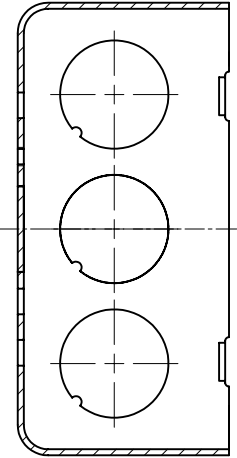
6×KNOCKOUTS $\phi=6.75$ [$\phi=0.267$]

2×1/2" KNOCKOUTS $\phi=22.50$ [$\phi=0.886$]

$\phi 38.1$ [$\phi 1.500$]

11.0 [0.43]

10.0 [0.39]



CUTAWAY VIEW A-A

DESCRIPTION
TRADE REFERENCE TERMS

This data sheet is for reference only. GARVIN INDUSTRIES reserves the right to make changes to the design without prior notice.

STANDARD PACKING
25 PCS

GARVIN INDUSTRIES		
TITLE 4-11/16" SQUARE "DRAWN" BOXES (2-1/8" DEEP)		
SIZE A4	DWG NO. 72171-3/4-1-VT	REV A
DATA SHEET		