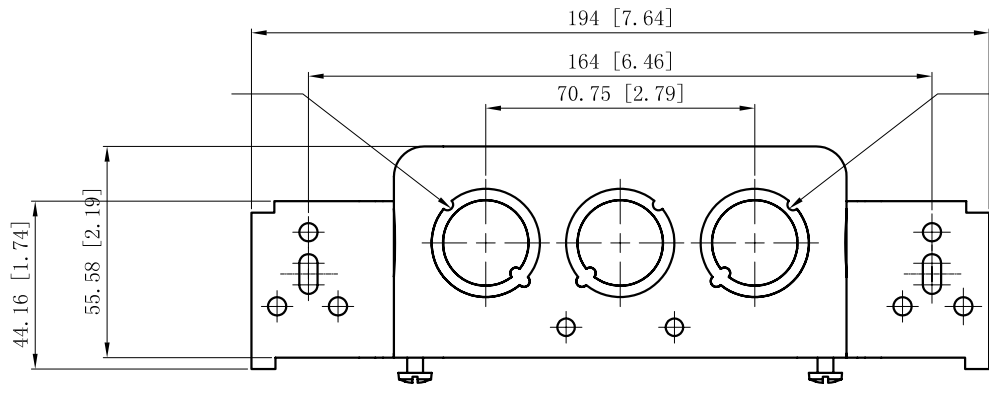
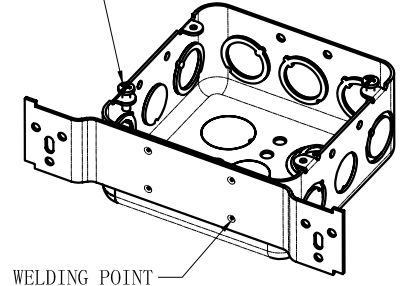


SIDES	BOTTOM
2 3/4" KNOCKOUTS	2 1/2" KNOCKOUTS
7 1/2"-3/4" MOON KNOCKOUTS	2 3/4" KNOCKOUTS
	1 Ground Hump
2 PCS 8-32×1/2 Screws Installed	
Material: Steel-0.0625"-G60 Galvanized	



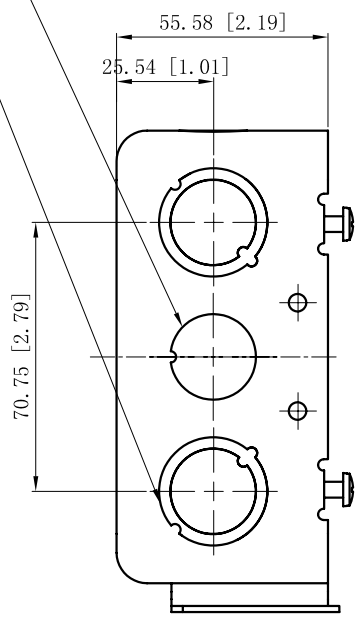
3 1/2"-3/4" MOON KNOCKOUTS  $\phi=28.5$  [ $\phi=1.12$ ]  
 $\phi=22.5$  [ $\phi=0.89$ ]

#8-32 UNC, ×2



4 1/2"-3/4" MOON KNOCKOUTS  $\phi=28.5$  [ $\phi=1.12$ ]  
 $\phi=22.5$  [ $\phi=0.89$ ]

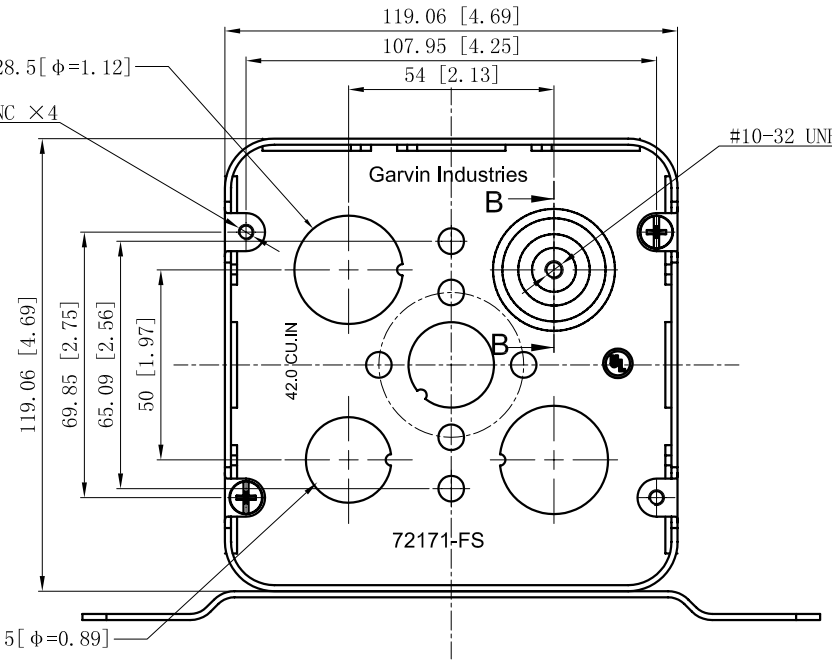
2 3/4" KNOCKOUTS  $\phi=22.5$  [ $\phi=0.89$ ]



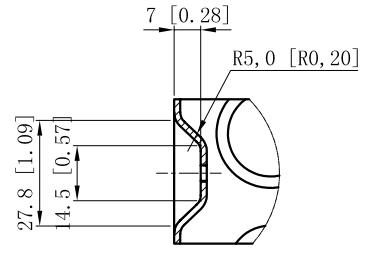
2 3/4" KNOCKOUTS  $\phi=28.5$  [ $\phi=1.12$ ]

#8-32 UNC ×4

#10-32 UNF



3 1/2" KNOCKOUTS  $\phi=22.5$  [ $\phi=0.89$ ]



CUTAWAY VIEW B-B

DESCRIPTION
TRADE REFERENCE TERMS

This data sheet is for reference only. GARVIN INDUSTRIES reserves the right to make changes to the design without prior notice.

STANDARD PACKING	<b>GARVIN INDUSTRIES</b>		
	TITLE 4-11/16" SQUARE "DRAWN" BOXES (2-1/8" DEEP)		
25 PCS	SIZE	DWG NO.	REV
	A4	72171-FS	
DATA SHEET			