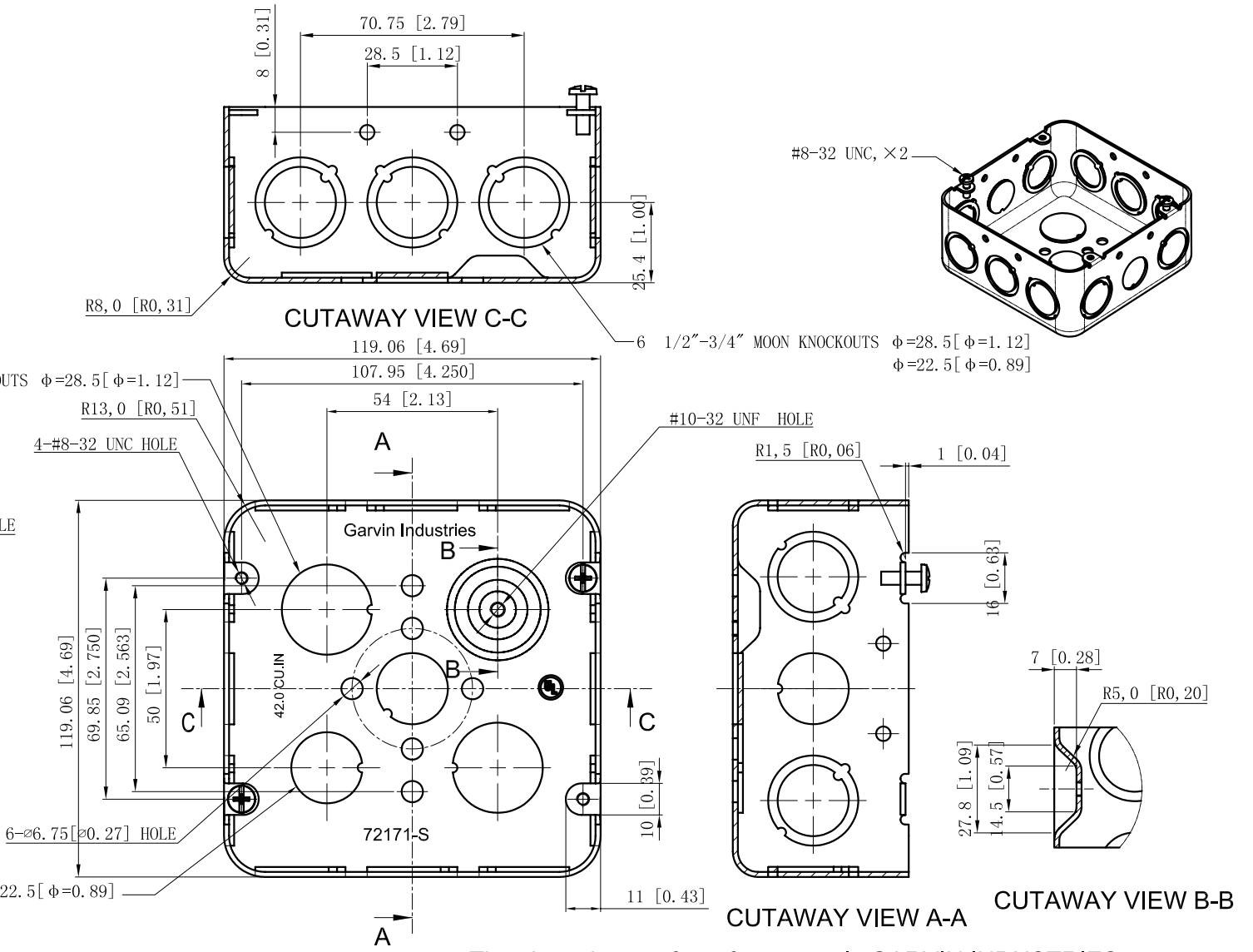
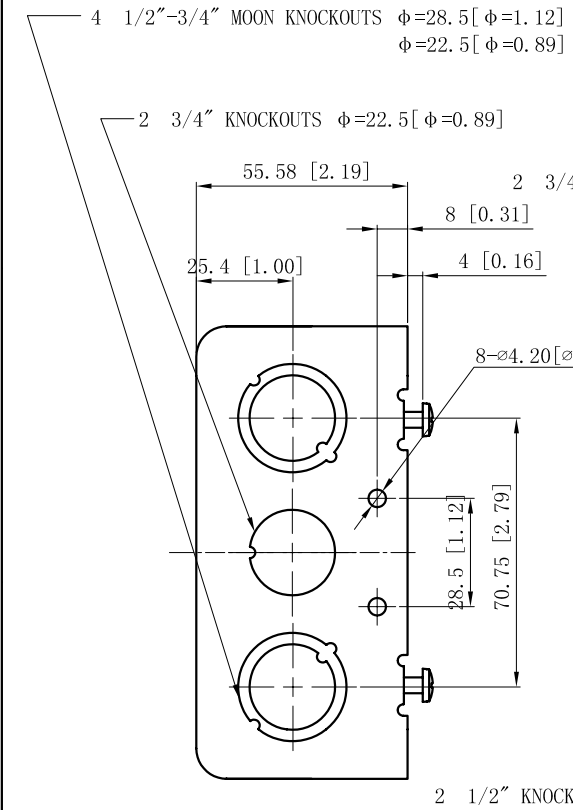


SIDES	BOTTOM
2 3/4" KNOCKOUTS	2 1/2" KNOCKOUTS
10 1/2"-3/4" MOON KNOCKOUTS	2 3/4" KNOCKOUTS
	1 Ground Hump
2 PCS 8-32x1/2 Screws Installed	
Material: Steel-0.0625"-G60 Galvanized	



This data sheet is for reference only. GARVIN INDUSTRIES reserves the right to make changes to the design without prior notice.

DESCRIPTION
TRADE REFERENCE TERMS

STANDARD PACKING
25 PCS

GARVIN INDUSTRIES		
TITLE 4-11/16" SQUARE "DRAWN" BOXES (2-1/8" DEEP)		
SIZE A4	DWG NO. 72171-RED	REV
DATA SHEET		