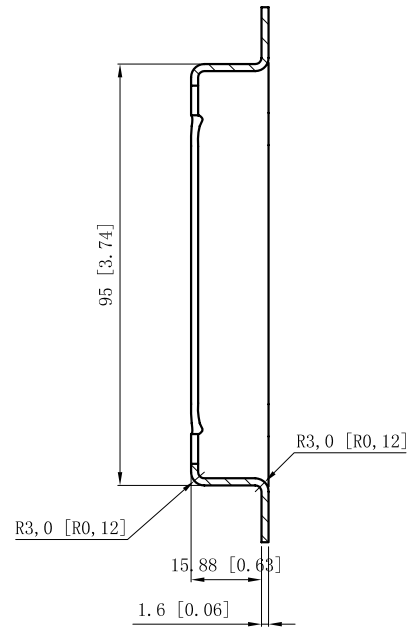
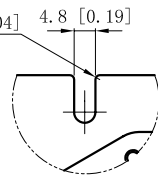


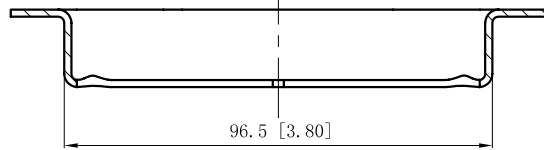
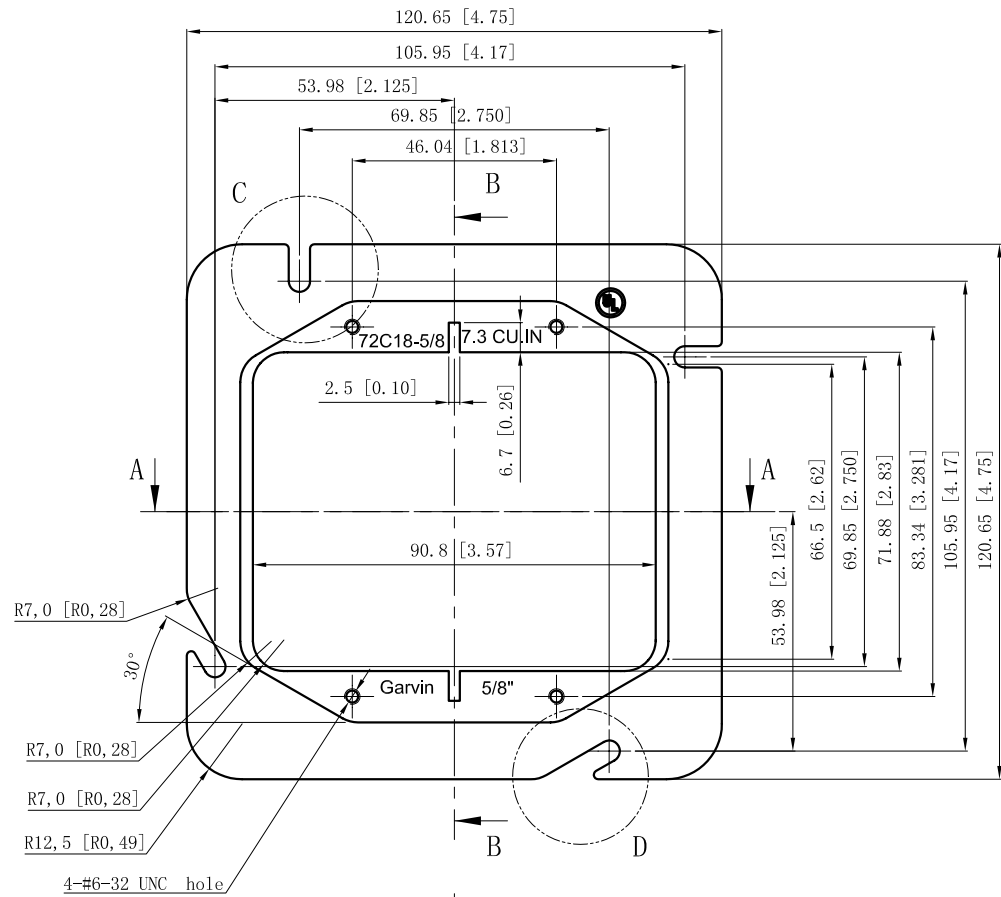
SIDES	BOTTOM
Material: Steel-0.0625"-(G60 or C. R. S) Galvanized	



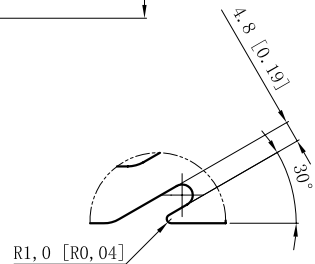
VIEW B-B



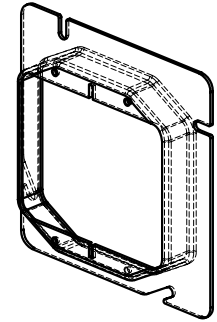
VIEW C



VIEW A-A



VIEW D



DESCRIPTION
TRADE REFERENCE TERMS

This data sheet is for reference only .GARVIN INDUSTRIES reserves the right to make changes to the design without prior notice.

STANDARD PACKING	<h1>GARVIN INDUSTRIES</h1>		
25 PCS			
TITLE	4-11/16" SQUARE TWO-DEVICE BOX COVERS		
SIZE	DWG NO.	REV	
A4	72C18-5/8		
DATA SHEET			