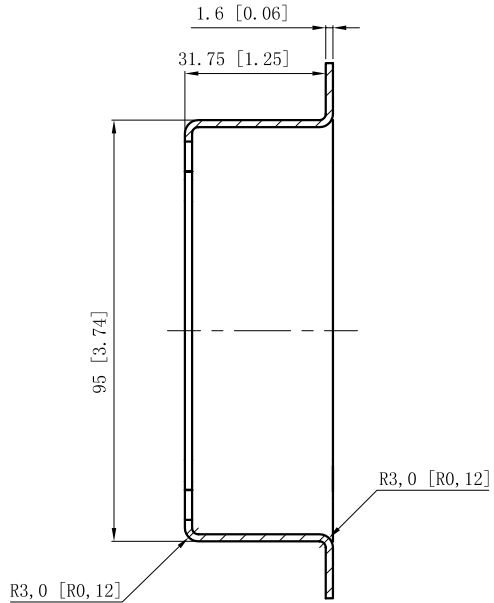
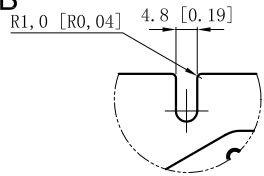


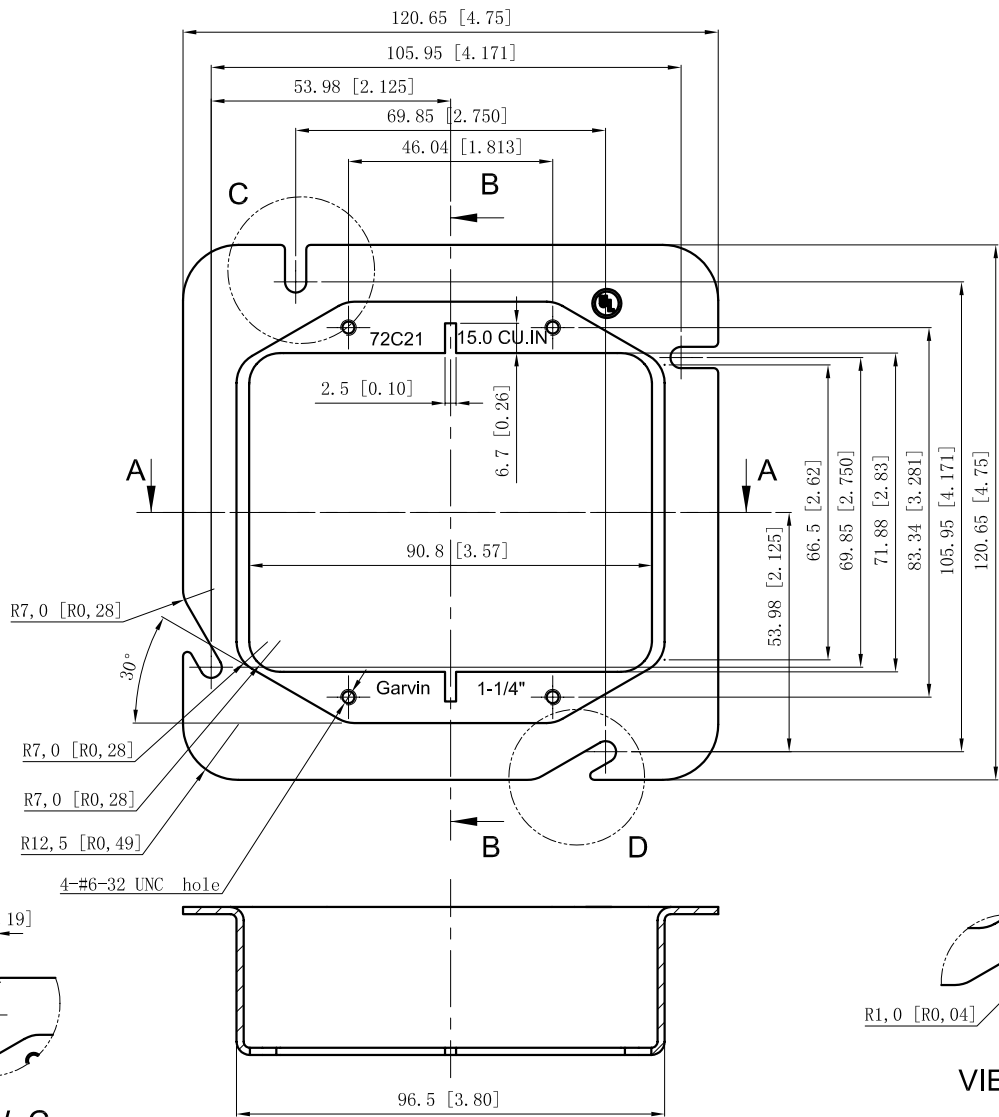
SIDES	BOTTOM
Material: Steel-0.0625"-(G60 or C. R. S) Galvanized	



VIEW B-B

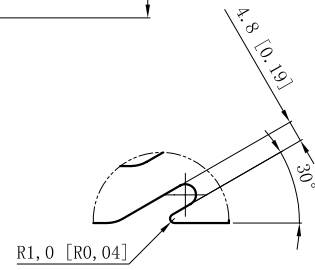
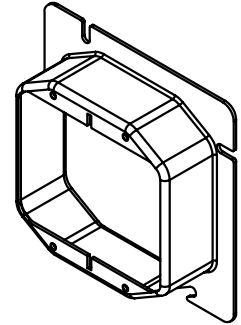


VIEW C



VIEW A-A

This data sheet is for reference only .GARVIN INDUSTRIES reserves the right to make changes to the design without prior notice.



VIEW D

DESCRIPTION
TRADE REFERENCE TERMS

STANDARD PACKING
25 PCS

GARVIN INDUSTRIES		
4-11/16" SQUARE TWO-DEVICE COVERS		
SIZE A4	DWG NO. 72C21	REV
DATA SHEET		