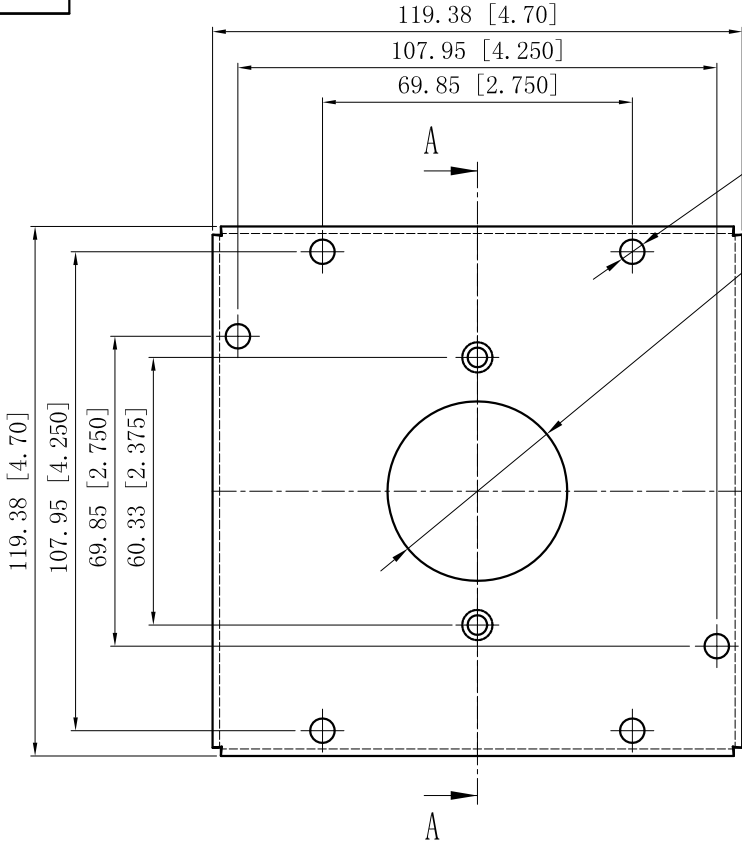
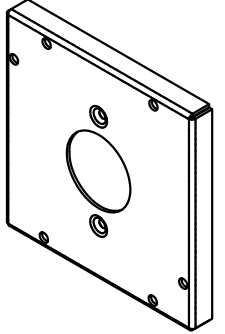
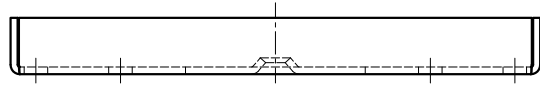
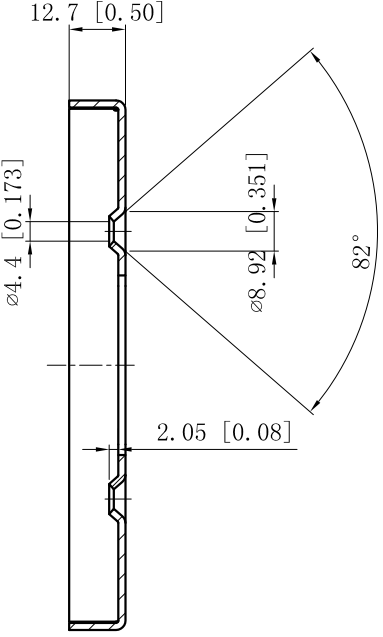


| | |
|---|--------|
| SIDES | BOTTOM |
| | |
| | |
| | |
| 2 PCS 6-32×5/16 Screws Pack In Poly-bag Sepwrtely | |
| 4 PCS 8-32×1 Screws Pack In Poly-bag Sepwrtely | |
| 2 PCS 6-32 Nut Pack In Poly-bag Sepwrtely | |
| Material:Steel-0.0625"-G60 Galvanized | |



6- $\varnothing 5,5$ [$\varnothing 0,217$] HOLE

$\varnothing 40,5$ [$\varnothing 1,594$] hole



CUTAWAY VIEW A-A

| |
|-----------------------|
| DESCRIPTION |
| |
| TRADE REFERENCE TERMS |
| |

This data sheet is for reference only .GARVIN INDUSTRIES reserves the right to make changes to the design without prior notice.

| | | | | |
|------------------|--|---------|-----|-------|
| STANDARD PACKING | <h1 style="text-align: center;">GARVIN INDUSTRIES</h1> | | | |
| 25 PCS | | | | TITLE |
| | SIZE | DWG NO. | REV | |
| | A4 | 72C42 | | |
| | DATA SHEET | | | |