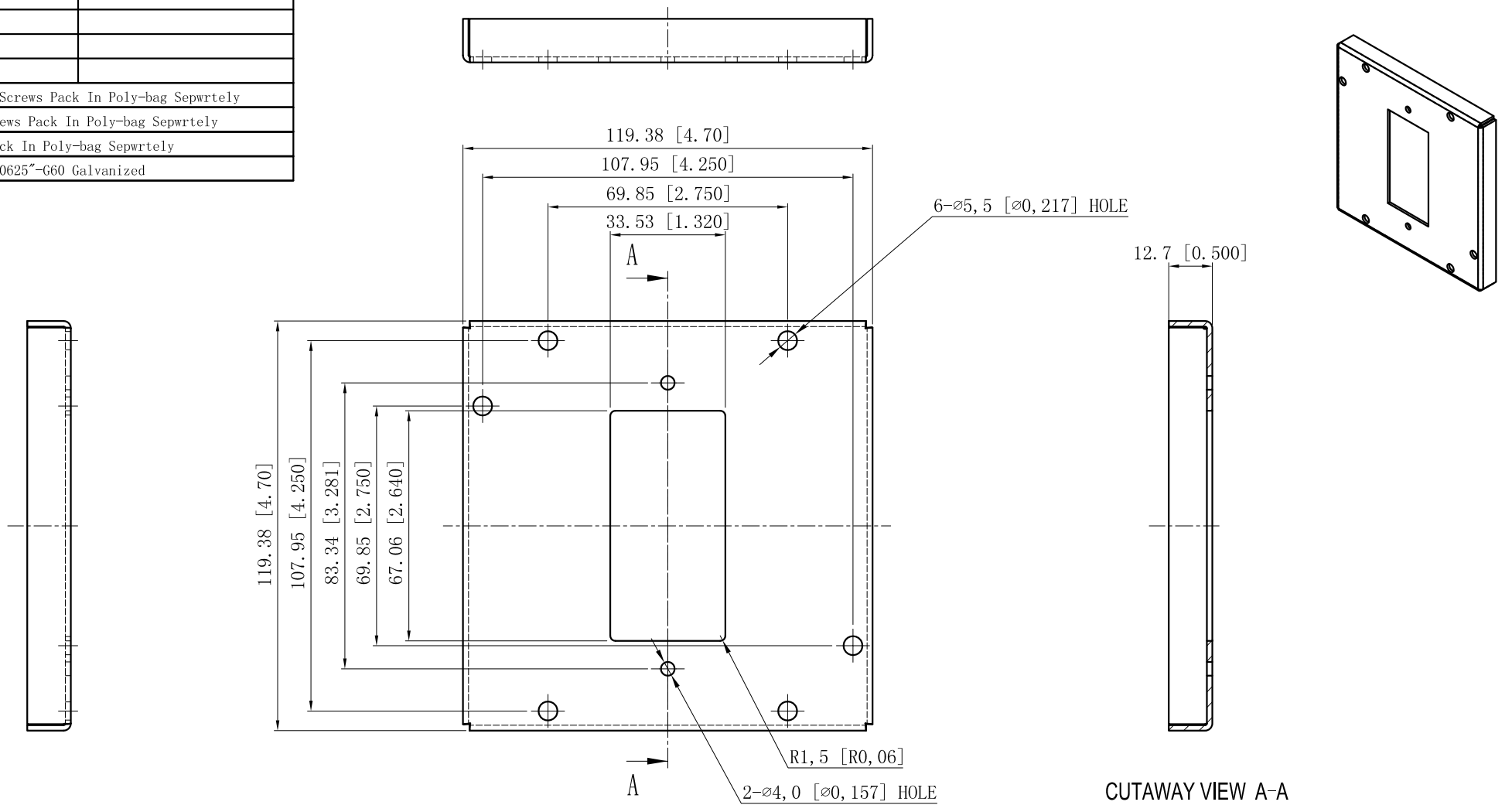


SIDES	BOTTOM
2 PCS 6-32×5/16 Screws Pack In Poly-bag Sepwrtely	
4 PCS 8-32×1 Screws Pack In Poly-bag Sepwrtely	
2 PCS 6-32 Nut Pack In Poly-bag Sepwrtely	
Material:Steel-0.0625"-G60 Galvanized	



DESCRIPTION
TRADE REFERENCE TERMS

This data sheet is for reference only .GARVIN INDUSTRIES reserves the right to make changes to the design without prior notice.

STANDARD PACKING	<h1 style="margin: 0;">GARVIN INDUSTRIES</h1> <h2 style="margin: 0;">4-11/16" INDUSTRIAL "GARVIN" COVERS</h2>		
25 PCS			
SIZE	DWG NO.	REV	
A4	72C47		
DATA SHEET			