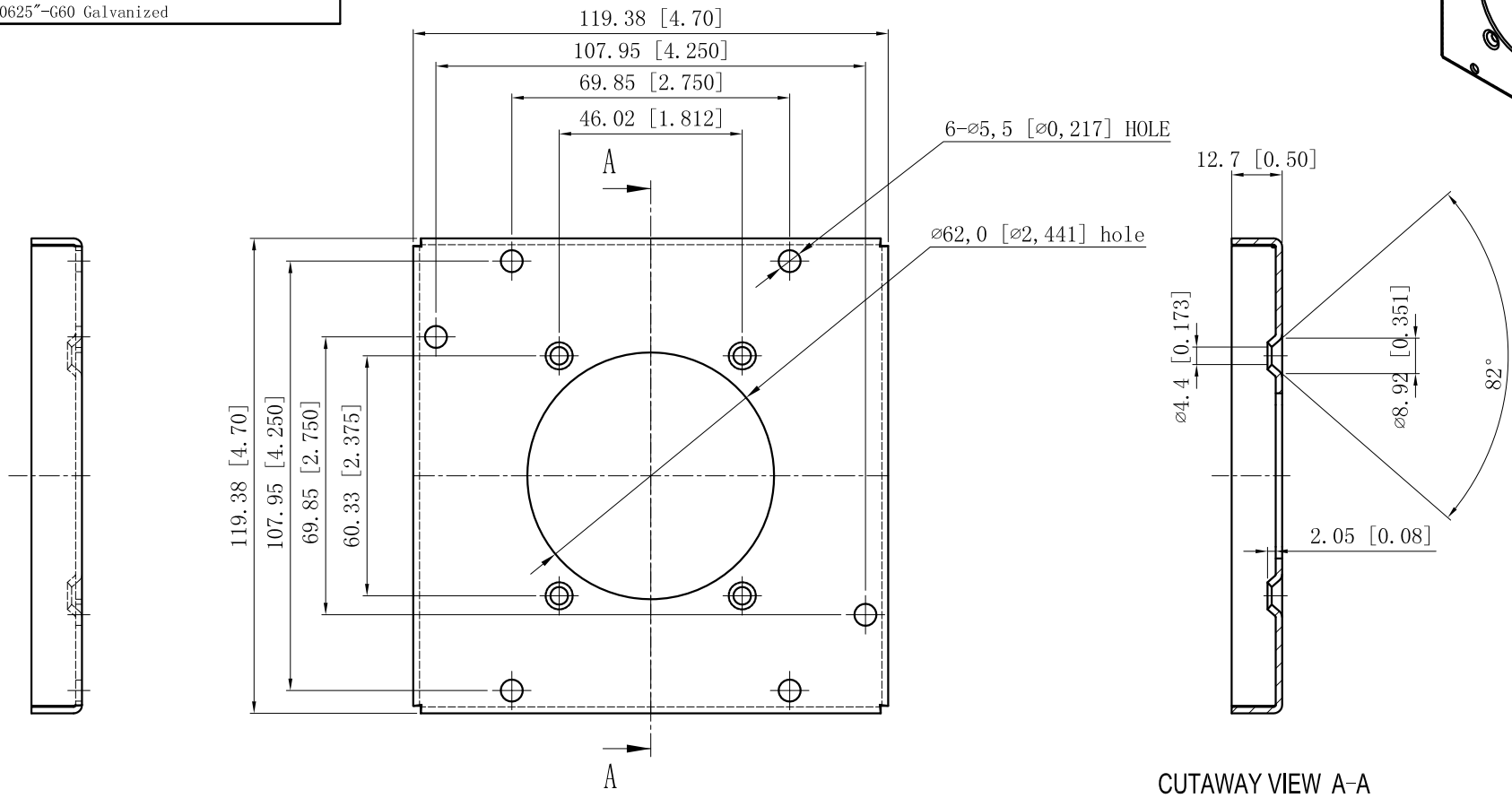
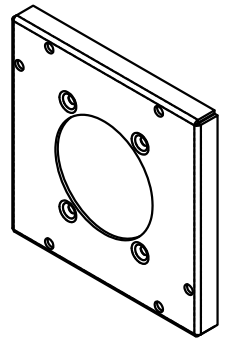


SIDES	BOTTOM
4 PCS 6-32×5/16 Screws Pack In Poly-bag Sepwrately	
4 PCS 8-32×1 Screws Pack In Poly-bag Sepwrately	
4 PCS 6-32 Nut Pack In Poly-bag Sepwrately	
Material:Steel-0.0625"-G60 Galvanized	



CUTAWAY VIEW A-A

This data sheet is for reference only .GARVIN INDUSTRIES reserves the right to make changes to the design without prior notice.

DESCRIPTION
TRADE REFERENCE TERMS

STANDARD PACKING
25 PCS

GARVIN INDUSTRIES		
TITLE 4-11/16" INDUSTRIAL "GARVIN" COVERS		
SIZE A4	DWG NO. 72C50	REV
DATA SHEET		