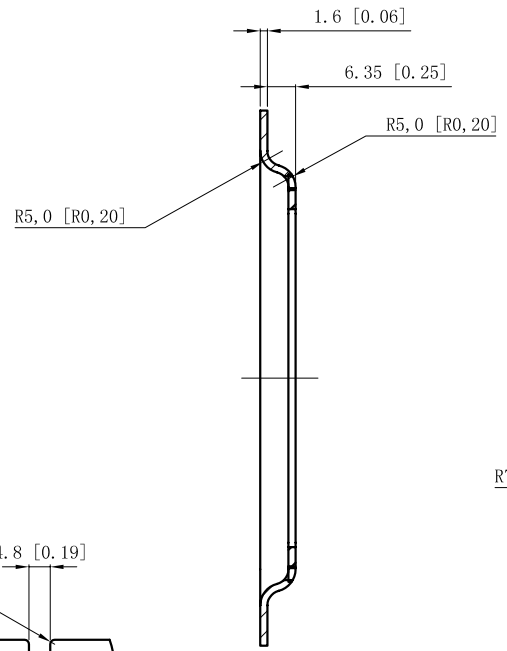
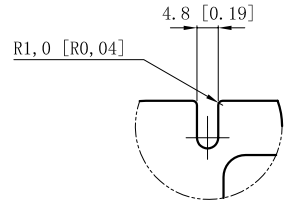


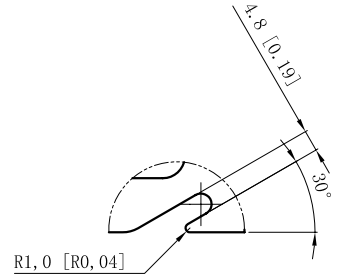
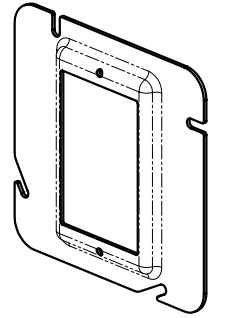
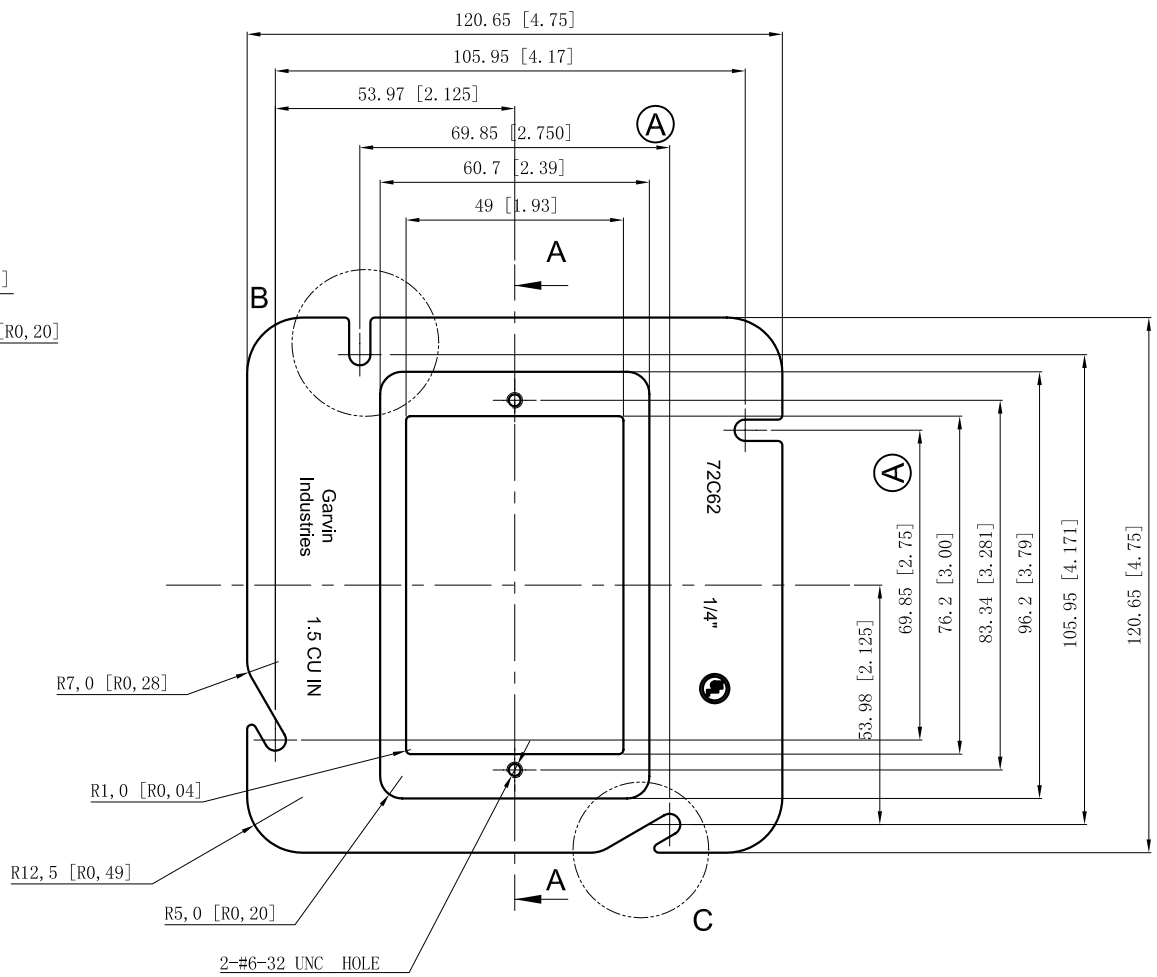
SIDES	BOTTOM
Material: Steel-0.0625"-(G60 or C. R. S) Galvanized	



VIEW A-A



VIEW B



VIEW C

This data sheet is for reference only .GARVIN INDUSTRIES reserves the right to make changes to the design without prior notice.

DESCRIPTION
TRADE REFERENCE TERMS

STANDARD PACKING
50 PCS

GARVIN INDUSTRIES		
TITLE 4-11/16" SQUARE SINGLE-DEVICE COVERS		
SIZE A4	DWG NO. 72C62	REV A
DATA SHEET		