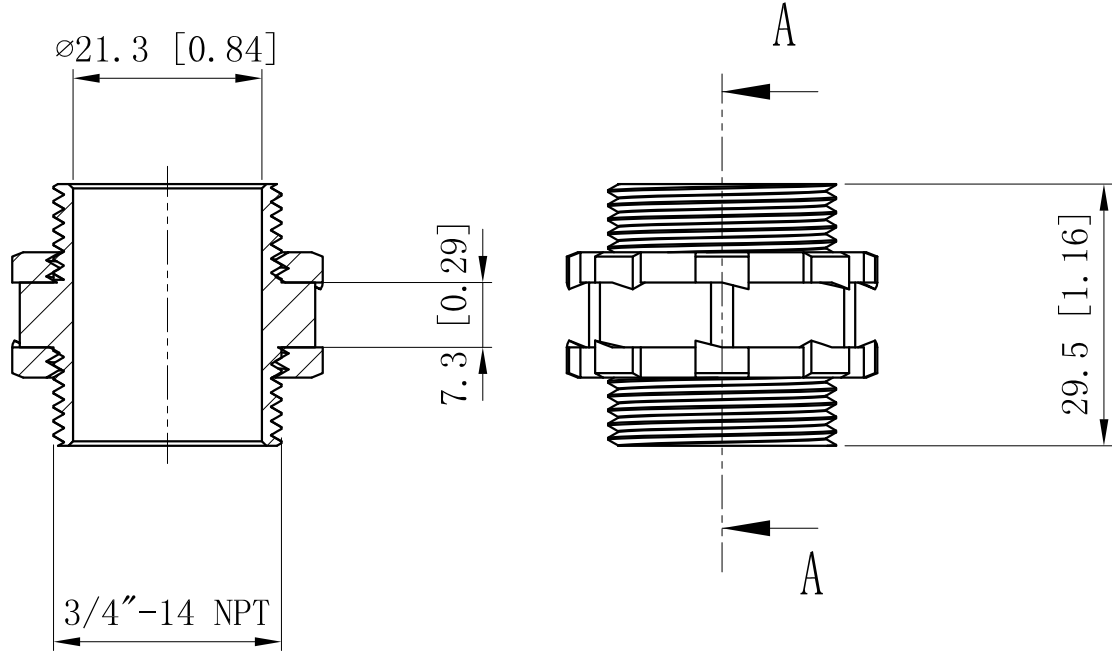
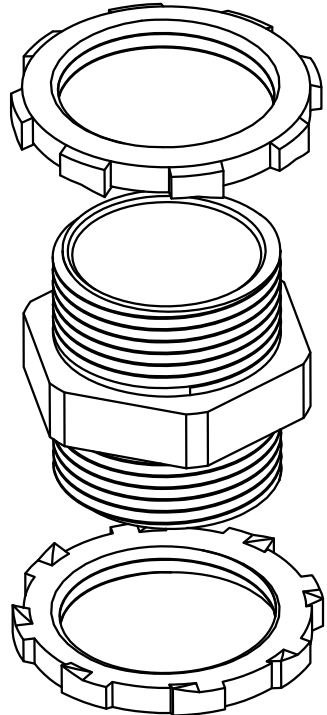


SIDES	BOTTOM
Material: Steel-0.0625"-#3 ZAMAK Zinc Plated	



CUTAWAY VIEW A-A



DESCRIPTION
TRADE REFERENCE TERMS

This data sheet is for reference only .GARVIN INDUSTRIES reserves the right to make changes to the design without prior notice.

STANDARD PACKING	<h1 style="text-align: center;">GARVIN INDUSTRIES</h1> <h2 style="text-align: center;">BACK-TO-BACK CONNECTOR</h2>		
50/500 PCS			
	TITLE		
	SIZE	DWG NO.	REV
	A4	BB-3/4	A
	DATA SHEET		