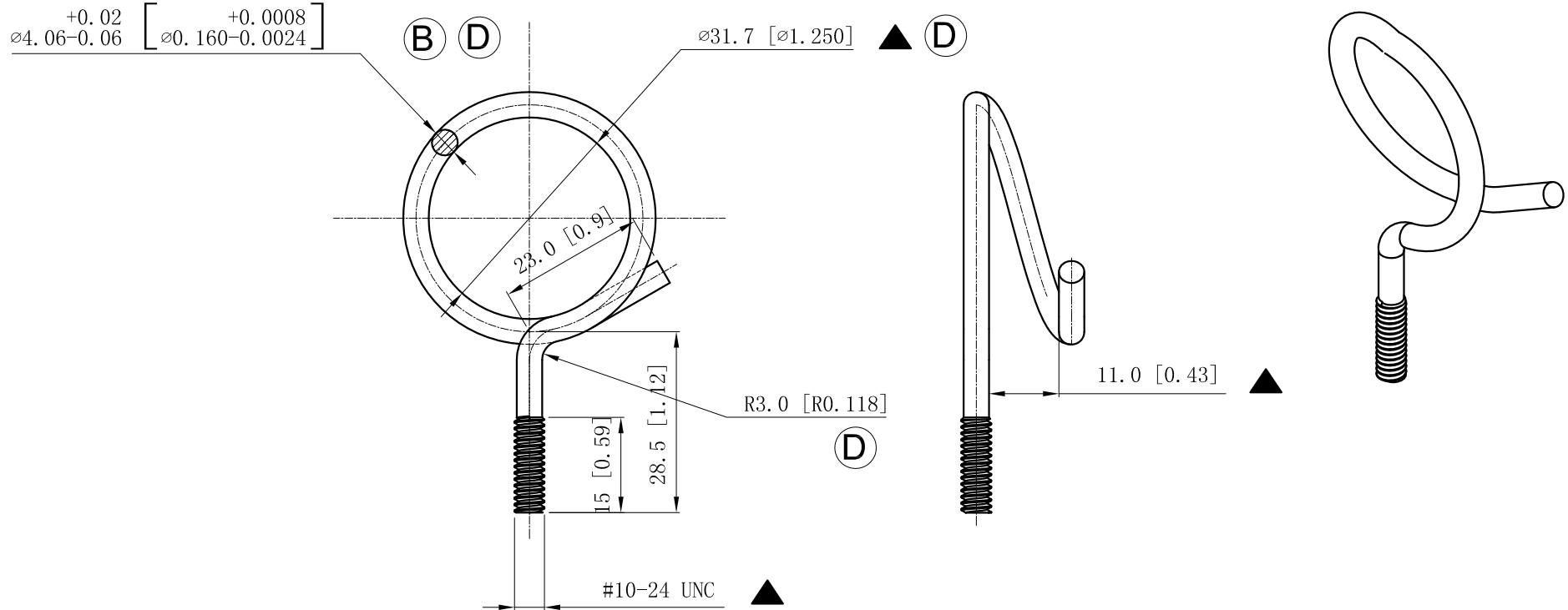


SIDES

BOTTOM

Material: Steel- $\varnothing$ 0.16"-(C1008-C1018) Zinc Plated



DESCRIPTION

TRADE REFERENCE TERMS

This data sheet is for reference only .GARVIN INDUSTRIES reserves the right to make changes to the design without prior notice.

STANDARD PACKING

100 PCS

GARVIN INDUSTRIES

TITLE

MACHINE-SCREW BRIDLE RIGS

SIZE

A4

DWG NO.

BR-125024

REV

D

DATA SHEET