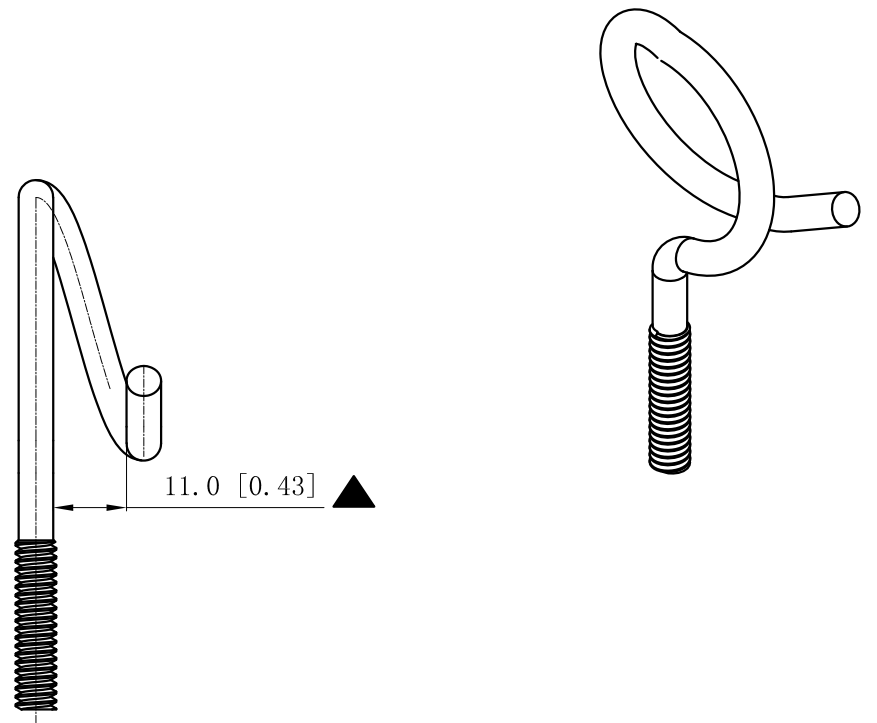
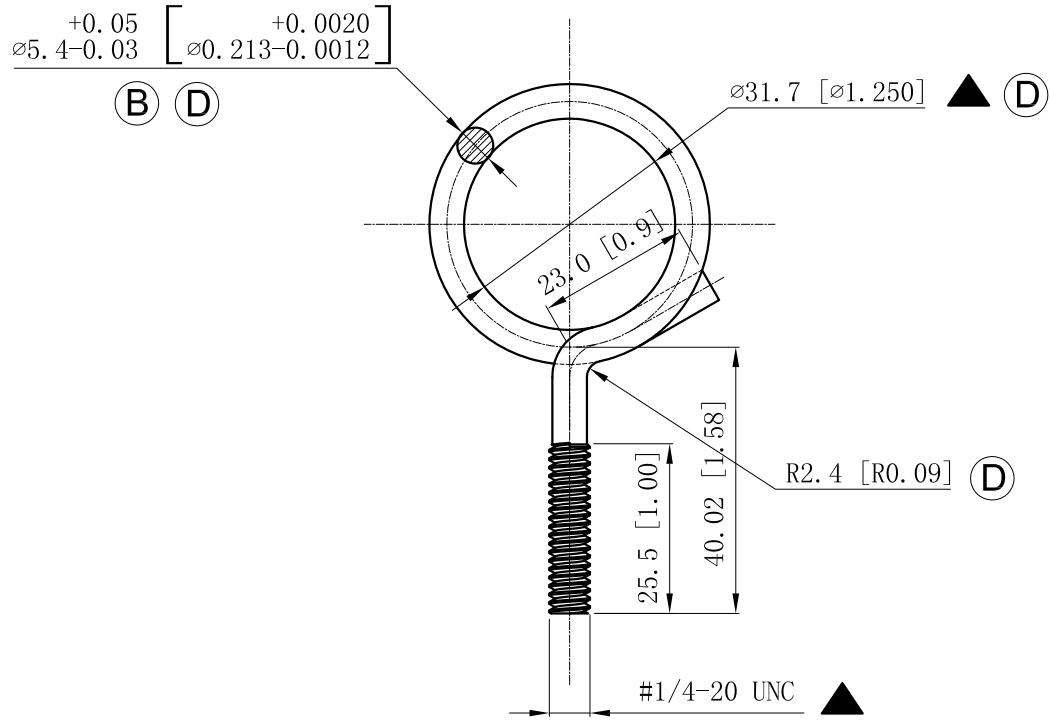


SIDES	BOTTOM
Material: Steel- $\varnothing$ 0.213" C1008-C1018 Zinc Plated	



DESCRIPTION
TRADE REFERENCE TERMS

STANDARD PACKING
100 PCS

This data sheet is for reference only .GARVIN INDUSTRIES reserves the right to make changes to the design without prior notice.

<b>GARVIN INDUSTRIES</b>		
TITLE <b>MACHINE-SCREW BRIDLE RINGS</b>		
SIZE A4	DWG NO. BR-125	REV D
DATA SHEET		