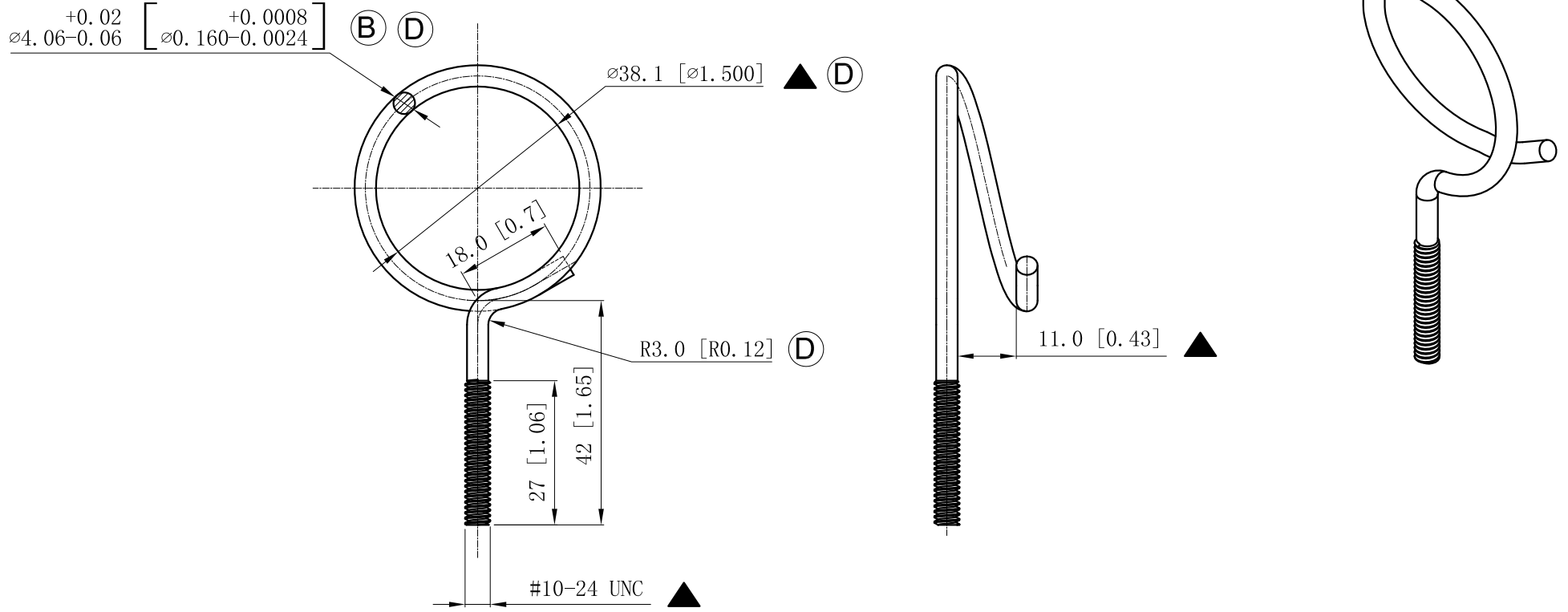


SIDES	BOTTOM

Material: Steel- $\varnothing$ 0.16"-(C1008-C1018) Zinc Plated



This data sheet is for reference only .GARVIN INDUSTRIES reserves the right to make changes to the design without prior notice.

DESCRIPTION
TRADE REFERENCE TERMS

STANDARD PACKING
100 PCS

<b>GARVIN INDUSTRIES</b>		
TITLE MACHINE-SCREW BRIDLE RIGS		
SIZE A4	DWG NO. BR-1501024	REV D
DATA SHEET		