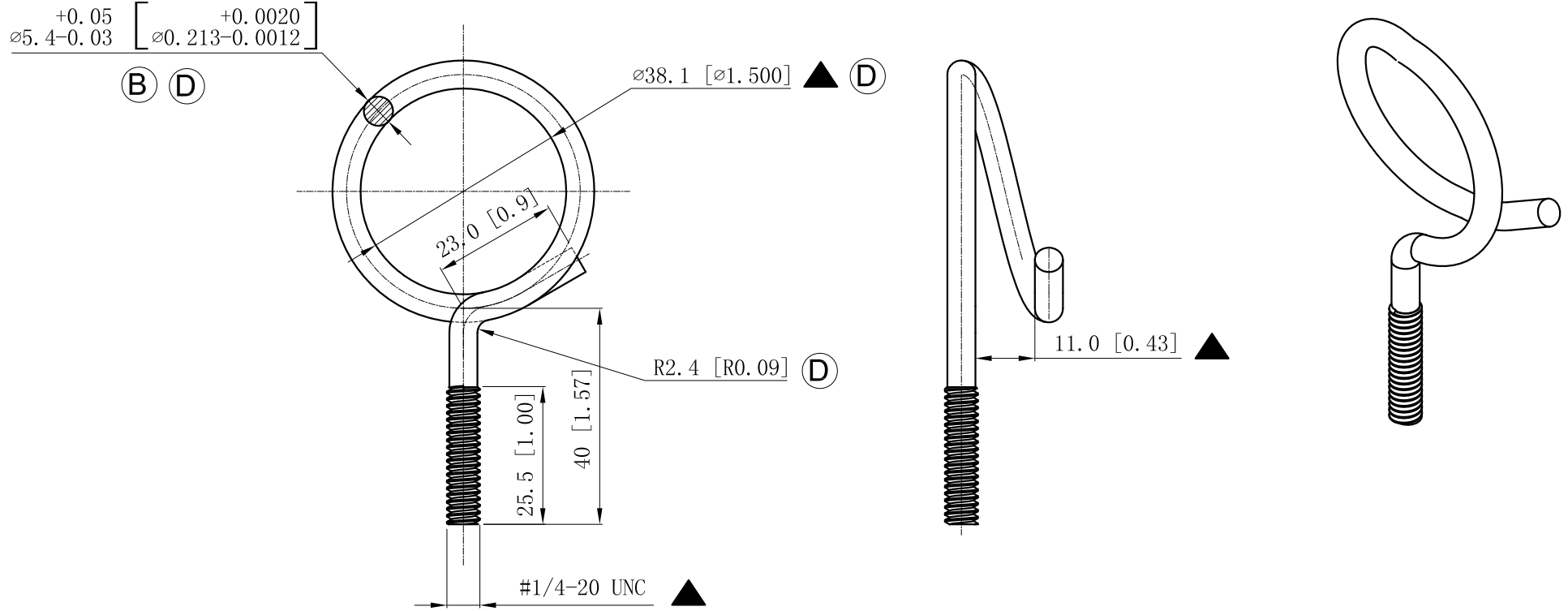


SIDES	BOTTOM
Material: Steel- $\varnothing 0.213$ "-(C1008-C1018) Zinc Plated	



This data sheet is for reference only .GARVIN INDUSTRIES reserves the right to make changes to the design without prior notice.

DESCRIPTION
TRADE REFERENCE TERMS

STANDARD PACKING
100 PCS

GARVIN INDUSTRIES		
TITLE MACHINE-SCREW BRIDLE RINGS		
SIZE A4	DWG NO. BR-150	REV D
DATA SHEET		