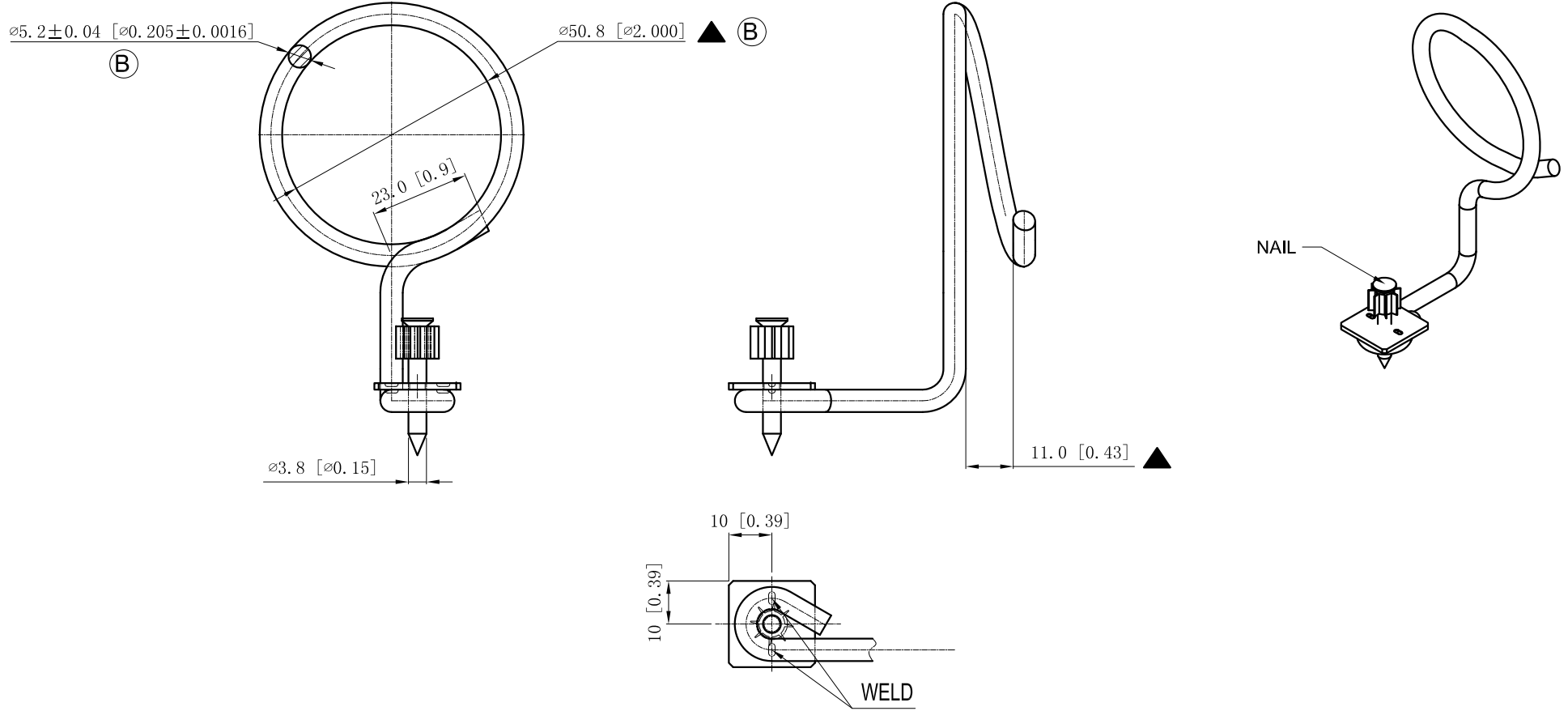


| | |
|---|--------|
| SIDES | BOTTOM |
| | |
| | |
| | |
| 1 PCS 1-1/4 Nail Installed | |
| Material: Steel- \varnothing 0.205"-(C1008-C1018) Zinc Plated | |



This data sheet is for reference only .GARVIN INDUSTRIES reserves the right to make changes to the design without prior notice.

| |
|-----------------------|
| DESCRIPTION |
| |
| TRADE REFERENCE TERMS |
| |

| | | | |
|------------------|---|-----------------------|----------|
| STANDARD PACKING | <h1 style="text-align: center;">GARVIN INDUSTRIES</h1> <h2 style="text-align: center;">QUICK-SHOT BRIDLE RINGS</h2> | | |
| 100 PCS | | | |
| | SIZE A4 | DWG NO. BR-200-SSC | REV B |
| | DATA SHEET | | |