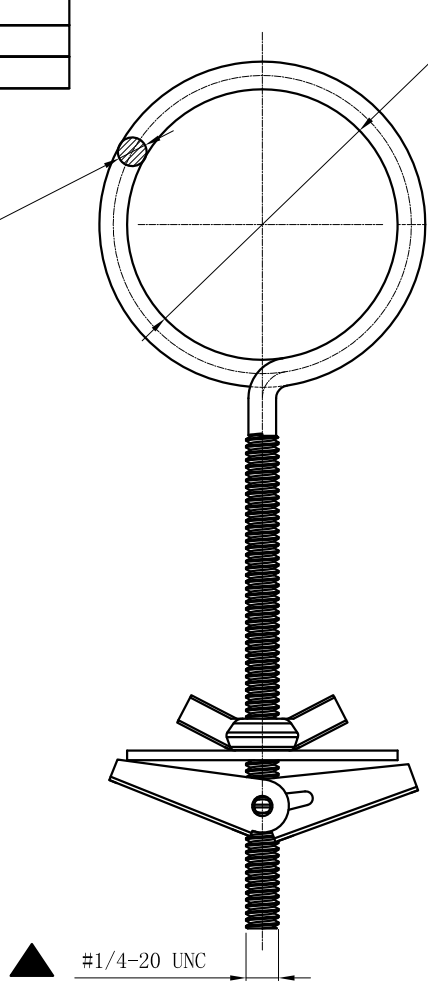
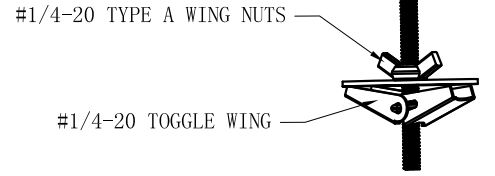
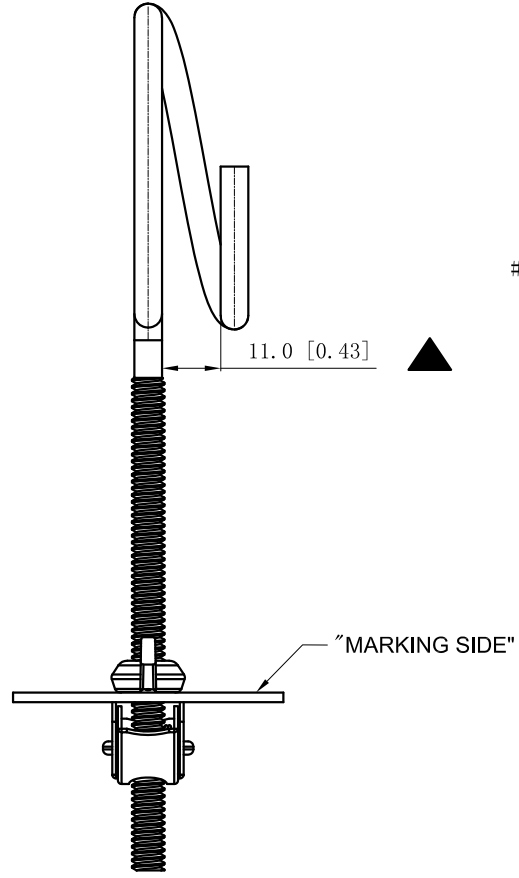


SIDES	BOTTOM
1 PCS #1/4-20 Type A Wing Nuts Installed	
1 PCS #1/4-20 Toggle Wing Installed	
Material: Steel- $\varnothing$ 0.213"-(C1008-C1018) Zinc Plated	

$\begin{matrix} +0.05 \\ \varnothing 5.4-0.03 \end{matrix}$  [  $\begin{matrix} +0.0020 \\ \varnothing 0.213-0.0012 \end{matrix}$  ]  
 (B)



$\varnothing 50.8$  [  $\varnothing 2.000$  ]  
 (B)



DESCRIPTION
TRADE REFERENCE TERMS

STANDARD PACKING
50 PCS

This data sheet is for reference only .GARVIN INDUSTRIES reserves the right to make changes to the design without prior notice.

<b>GARVIN INDUSTRIES</b>		
TITLE TOGGLE RINGS WITH 4" THREADED LEG		
SIZE A4	DWG NO. BR-200-TW	REV B
DATA SHEET		