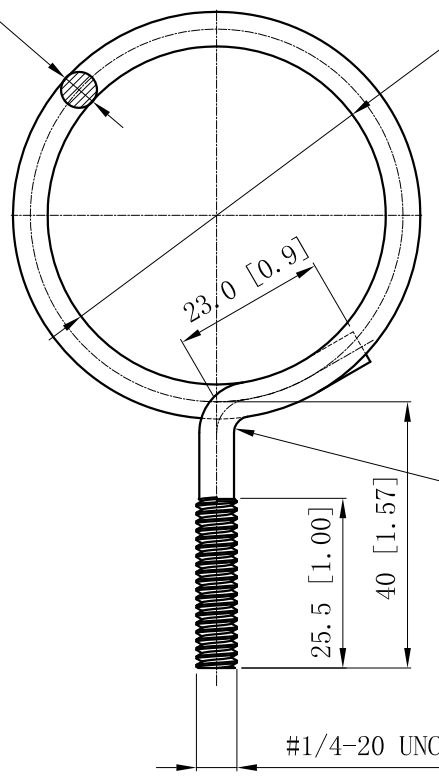


SIDES	BOTTOM
Material: Steel- \varnothing 0.213"-(C1008-C1018) Zinc Plated	

$\frac{+0.05}{\varnothing 5.4-0.03}$ [$\frac{+0.0020}{\varnothing 0.213-0.0012}$]

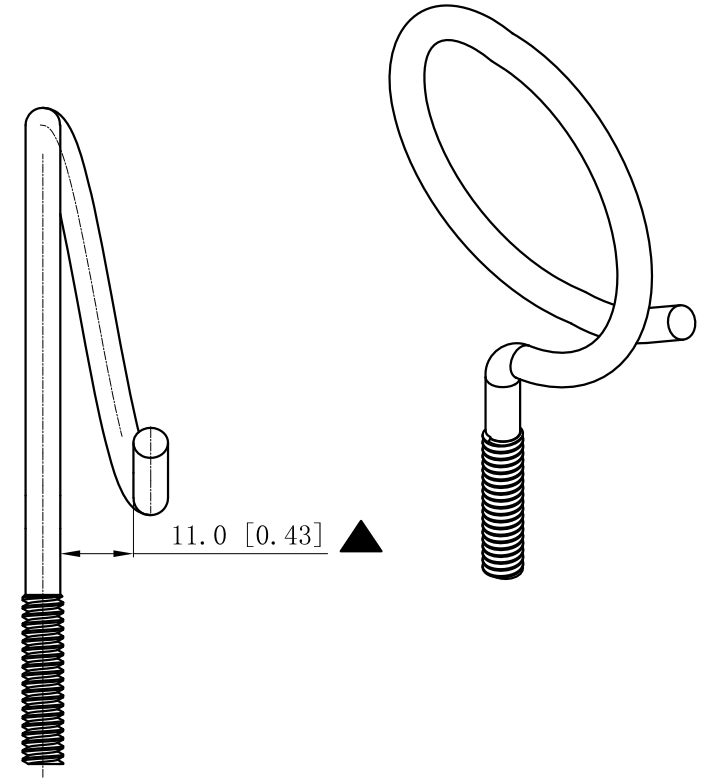
(B) (D)



$\varnothing 50.8$ [$\varnothing 2.000$] ▲ (D)

R2.4 [R0.09] (D)

#1/4-20 UNC ▲



11.0 [0.43] ▲

DESCRIPTION
TRADE REFERENCE TERMS

STANDARD PACKING
100 PCS

This data sheet is for reference only .GARVIN INDUSTRIES reserves the right to make changes to the design without prior notice.

GARVIN INDUSTRIES		
TITLE MACHINE-SCREW BRIDLE RINGS		
SIZE A4	DWG NO. BR-200	REV D
DATA SHEET		