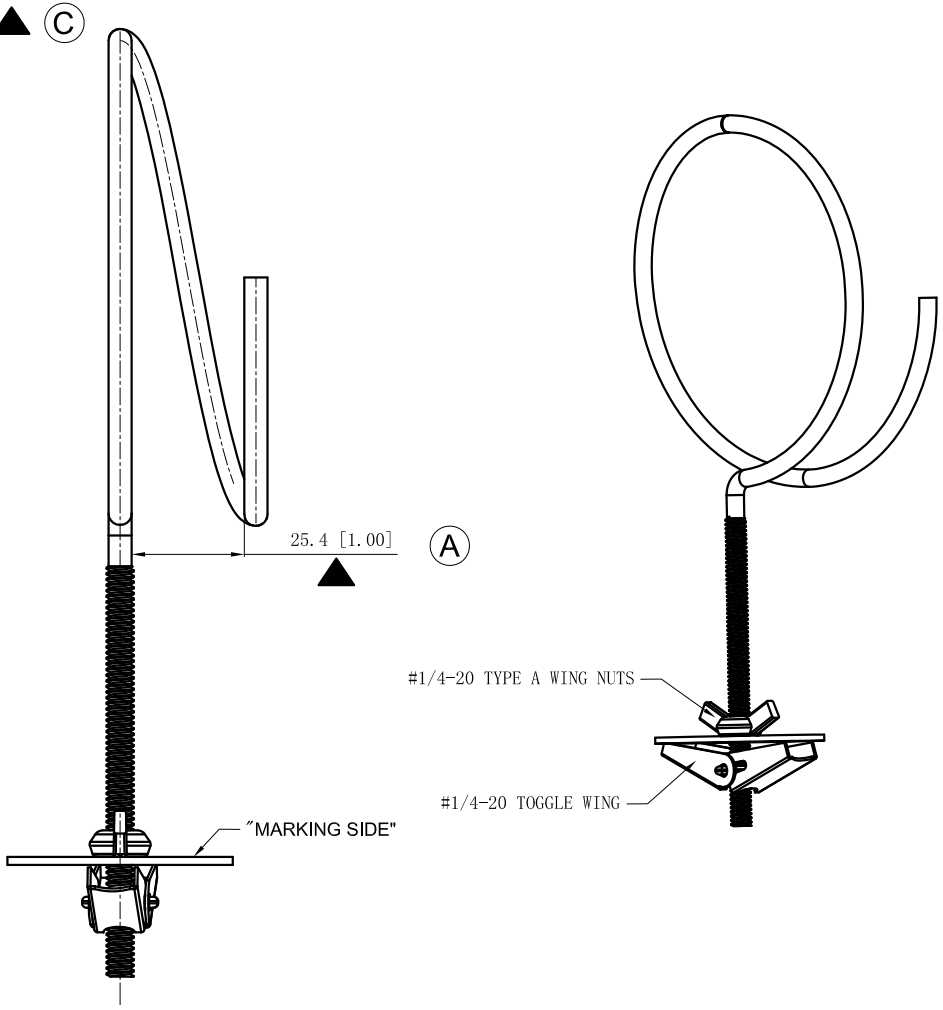
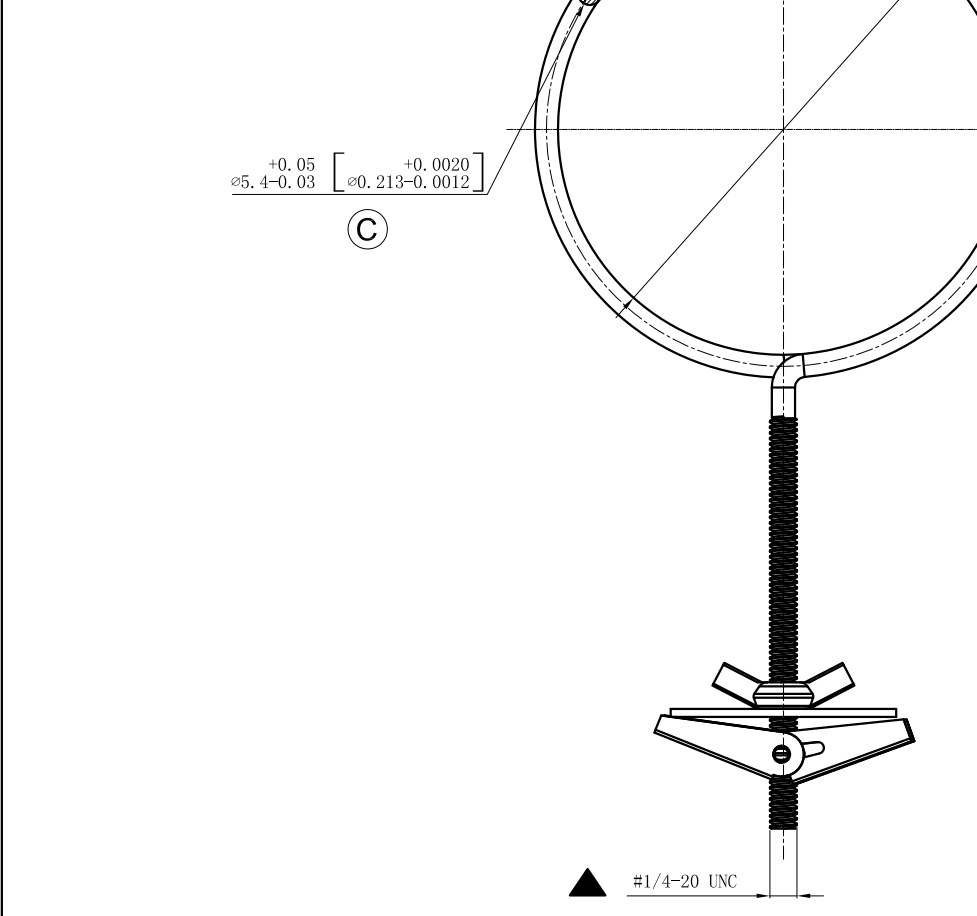


SIDES	BOTTOM
1 PCS #1/4-20 Type A Wing Nuts Installed	
1 PCS #1/4-20 Toggle Wing Installed	
Material: Steel- \varnothing 0.213"-(C1008-C1018) Zinc Plated	



This data sheet is for reference only .GARVIN INDUSTRIES reserves the right to make changes to the design without prior notice.

DESCRIPTION
TRADE REFERENCE TERMS

STANDARD PACKING
50 PCS

GARVIN INDUSTRIES		
TITLE TOGGLE RINGS WITH 4" THREADED LEG		
SIZE A4	DWG NO. BR-400-TW	REV C
DATA SHEET		