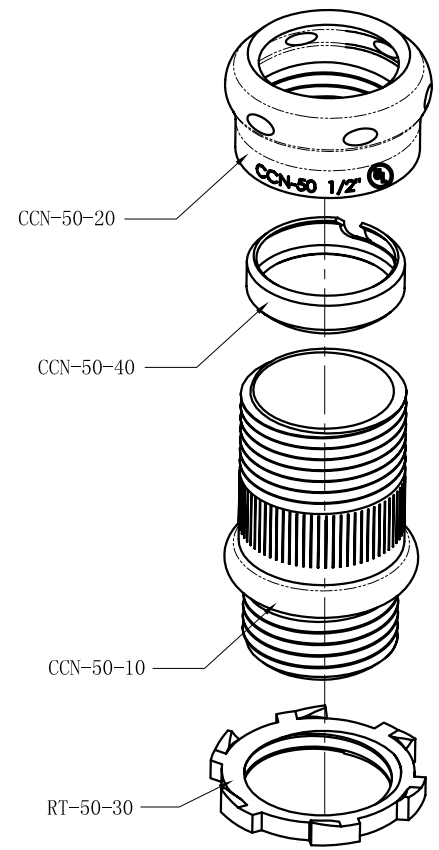
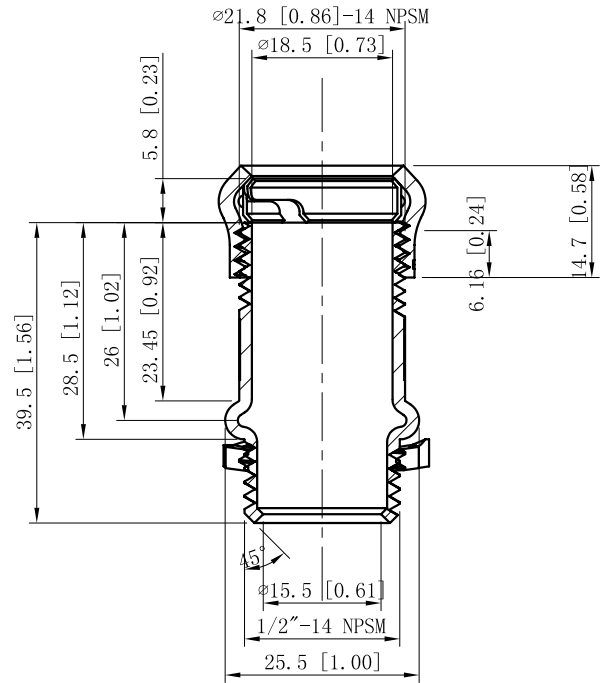
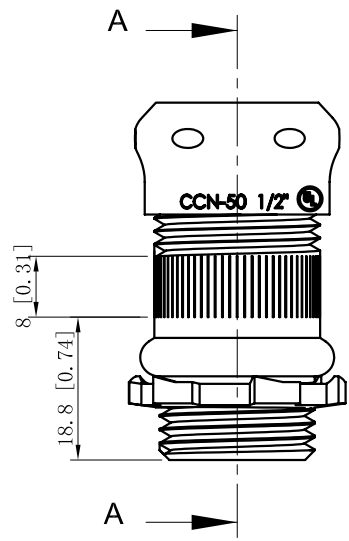


| | |
|---|--------|
| SIDES | BOTTOM |
| | |
| | |
| | |
| Material: Steel-0.065"-C. R. S Galvanized | |



| |
|-----------------------|
| DESCRIPTION |
| |
| |
| TRADE REFERENCE TERMS |
| |

| |
|------------------|
| STANDARD PACKING |
| 50 PCS |

This data sheet is for reference only .GARVIN INDUSTRIES reserves the right to make changes to the design without prior notice.

| | | |
|---|-------------------|-----|
| GARVIN INDUSTRIES | | |
| TITLE STEEL EMT SET COMPRESSION CONNECTORS | | |
| SIZE A4 | DWG NO. CCN-50 | REV |
| DATA SHEET | | |