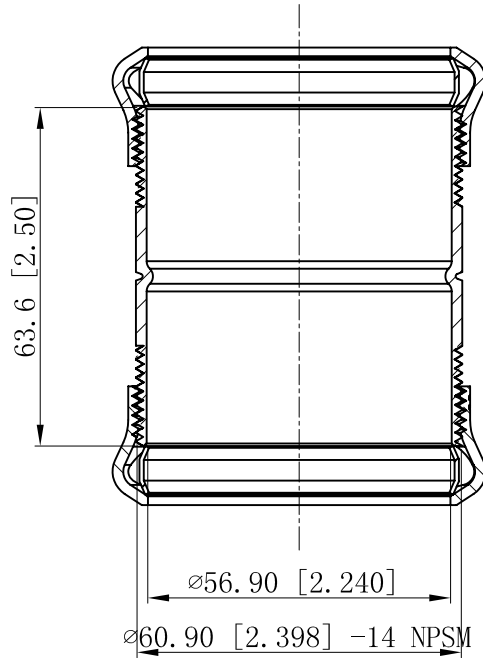
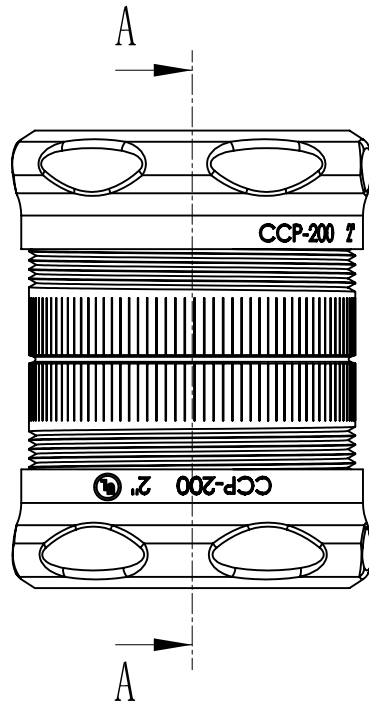
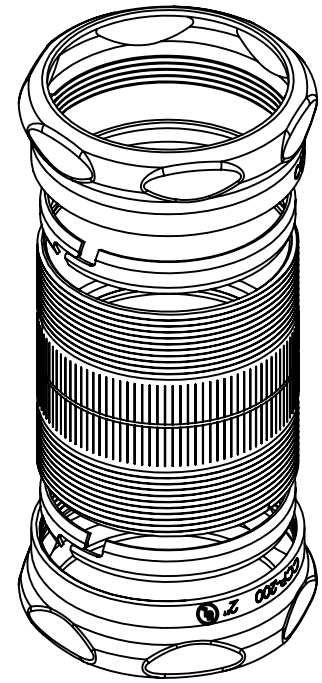


SIDES	BOTTOM
Material:Steel-Welding tube, zinc plated	



CUTAWAY VIEW A-A



DESCRIPTION
TRADE REFERENCE TERMS

This data sheet is for reference only .GARVIN INDUSTRIES reserves the right to make changes to the design without prior notice.

STANDARD PACKING	<h1 style="margin: 0;">GARVIN INDUSTRIES</h1> <h2 style="margin: 0;">STEEL EMT SET COMPRESSION CONNECTORS</h2>		
10 PCS			
SIZE	DWG NO.	REV	
A4	CCP-200		
DATA SHEET			