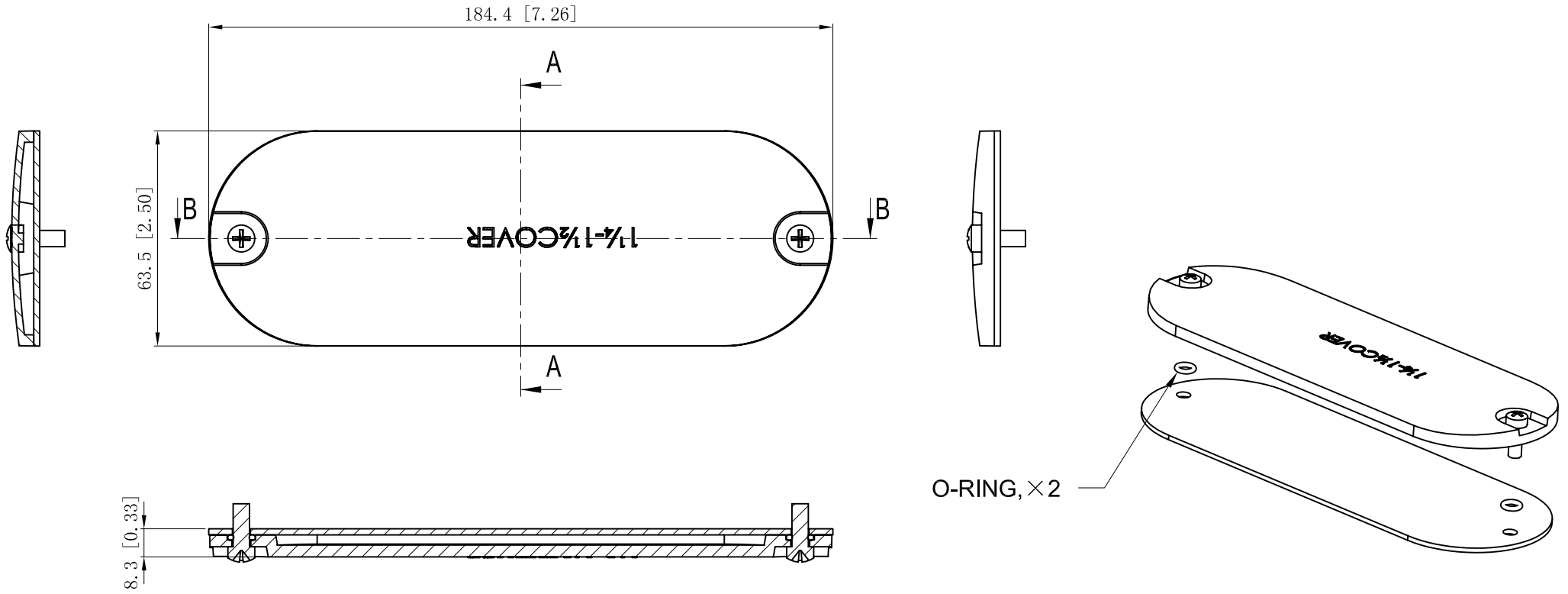


SIDES	BOTTOM
2 PCS #10-24×1/2 Screws Installed	
2 PCS 4.5×1.8G (GB34521-92) O-Ring Installed	
Material: Aluminum Powder Coating Silver Grey	



This data sheet is for reference only .GARVIN INDUSTRIES reserves the right to make changes to the design without prior notice.

DESCRIPTION
TRADE REFERENCE TERMS

STANDARD PACKING
25 PCS

GARVIN INDUSTRIES		
ALUMINUM CONDUIT BODY COVERS		
SIZE A4	DWG NO. CG-125150	REV A
DATA SHEET		