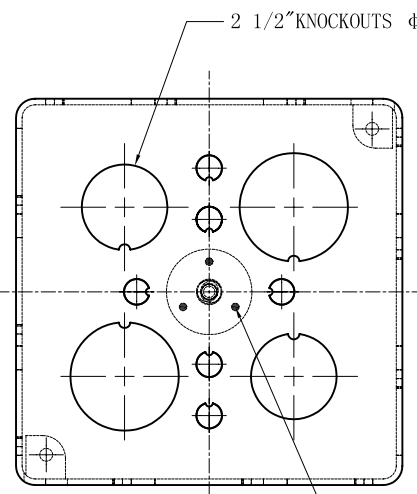
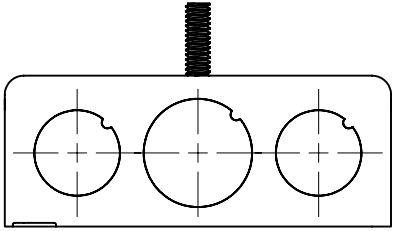
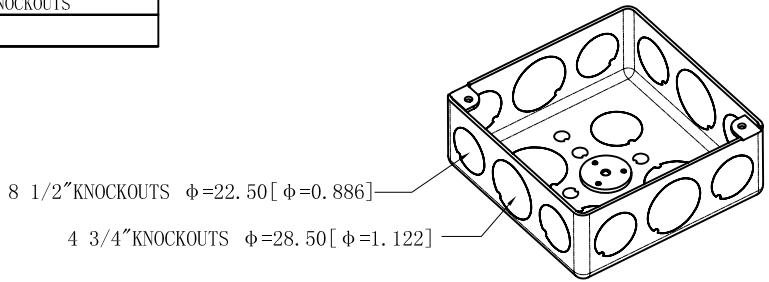
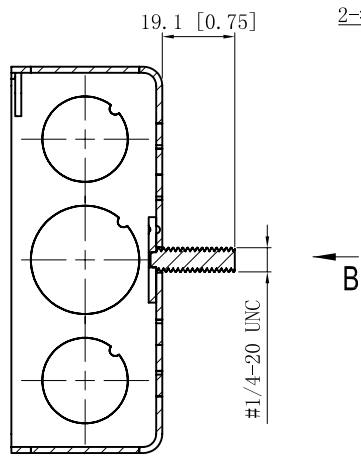


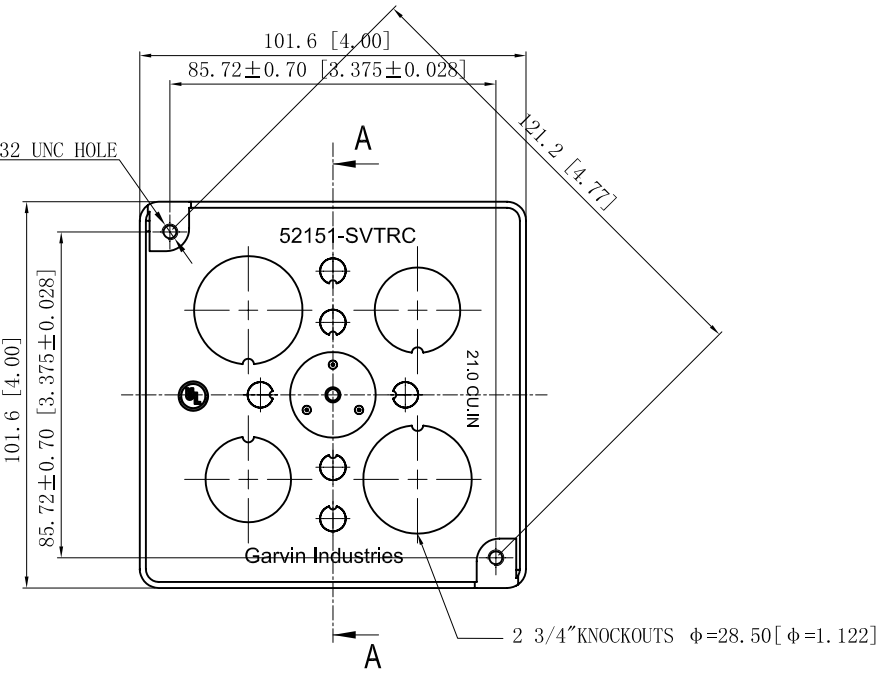
SIDES	BOTTOM
8 1/2" KNOCKOUTS	2 1/2" KNOCKOUTS
4 3/4" KNOCKOUTS	2 3/4" KNOCKOUTS
	6 NAILS KNOCKOUTS
Material: Steel-0.0625"-G60 Galvanized	



VIEW B



CUTAWAY VIEW A-A



DESCRIPTION
TRADE REFERENCE TERMS

STANDARD PACKING
50 PCS

This data sheet is for reference only. GARVIN INDUSTRIES reserves the right to make changes to the design without prior notice.

<b>GARVIN INDUSTRIES</b>		
TITLE 4" SQUARE BOXES 1-1/2" DEEP		
SIZE A4	DWG NO. 52151-SVTRC	REV
DATA SHEET		