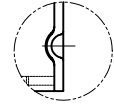
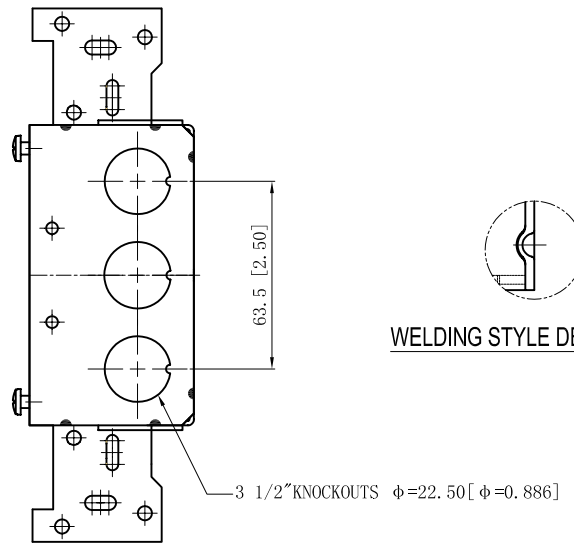
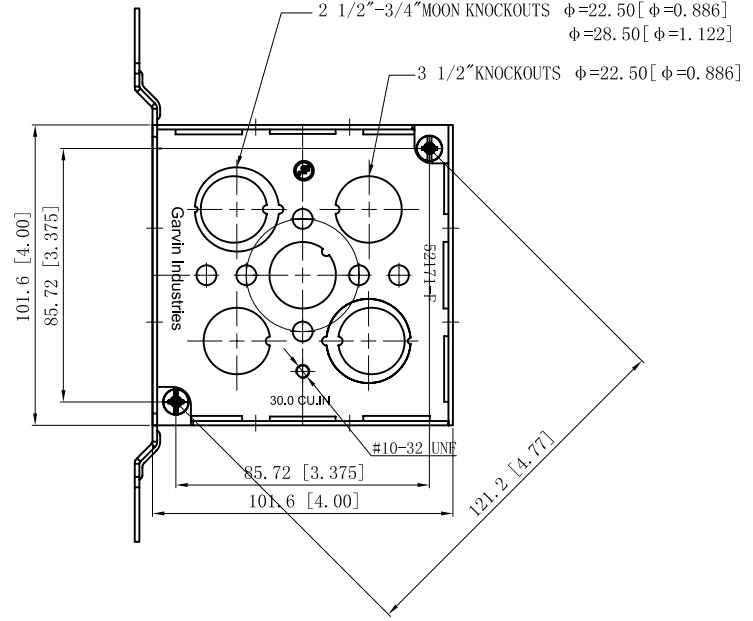
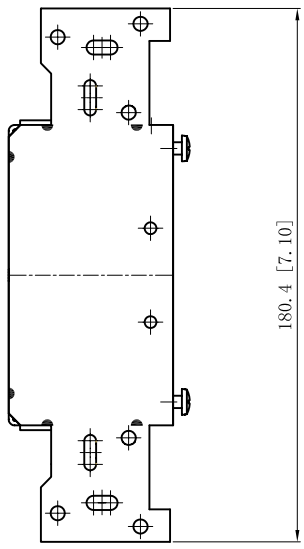
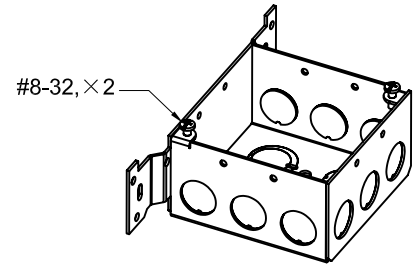
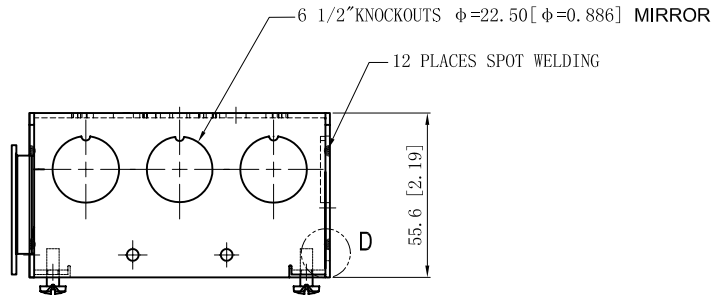


<b>SIDES</b>	<b>BOTTOM</b>
9 1/2" KNOCKOUTS	3 1/2" KNOCKOUTS
	2 1/2"-3/4" MOON KNOCKOUTS
2 PCS 8-32X1/2 Screws Installed	
Material: Steel-0.0625"-G60 Galvanized	



WELDING STYLE DETAIL VIEW D

This data sheet is for reference only .GARVIN INDUSTRIES reserves the right to make changes to the design without prior notice.

DESCRIPTION
TRADE REFERENCE TERMS

STANDARD PACKING
25 PCS

<b>GARVIN INDUSTRIES</b>		
TITLE 4" SQUARE BRACKET BOXES (2-1/8" DEEP)		
SIZE A4	DWG NO. 52171-F	REV B
DATA SHEET		