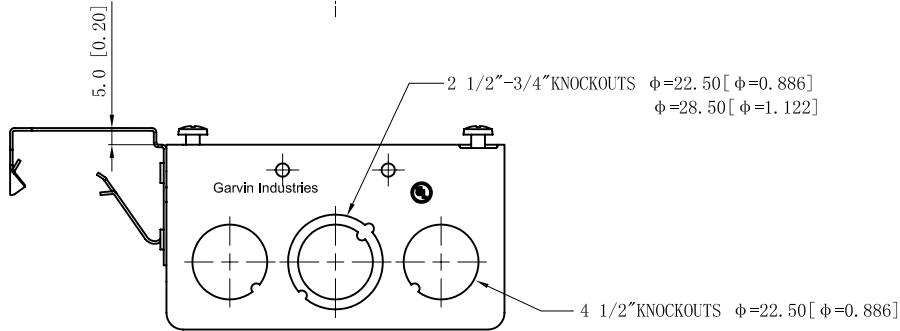
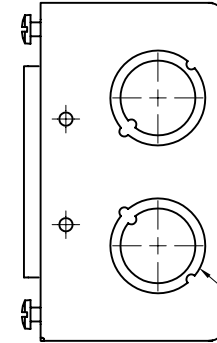
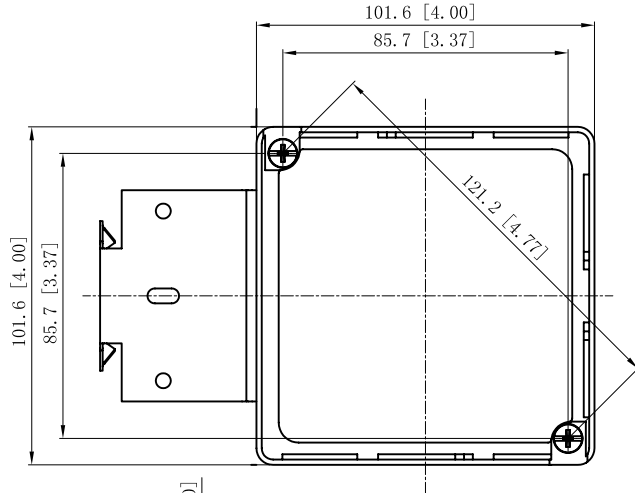
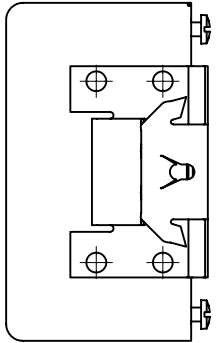
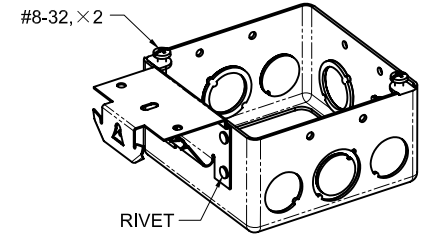
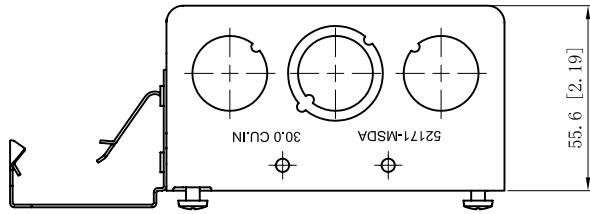


| | |
|--|---------------|
| SIDES | BOTTOM |
| 4 1/2" KNOCKOUTS | |
| 4 1/2"-3/4" MOON KNOCKOUTS | |
| 2 PCS 8-32x1/2 Screws Installed | |
| Material: Steel-0.0625"-G60 Galvanized | |



| |
|------------------------------|
| DESCRIPTION |
| |
| TRADE REFERENCE TERMS |
| |

This data sheet is for reference only .GARVIN INDUSTRIES reserves the right to make changes to the design without prior notice.

| | | | |
|-------------------------|----------------------------------|------------|------------|
| STANDARD PACKING | GARVIN INDUSTRIES | | |
| | 4" SQ. BRACKET BOXES 2-1/8" DEEP | | |
| 25 PCS | TITLE | 52171-MSDA | |
| | SIZE A4 | DWG NO. | DATA SHEET |
| | | | REV A |