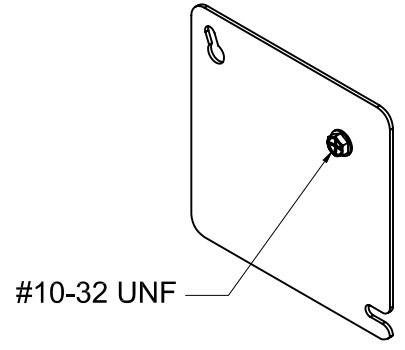
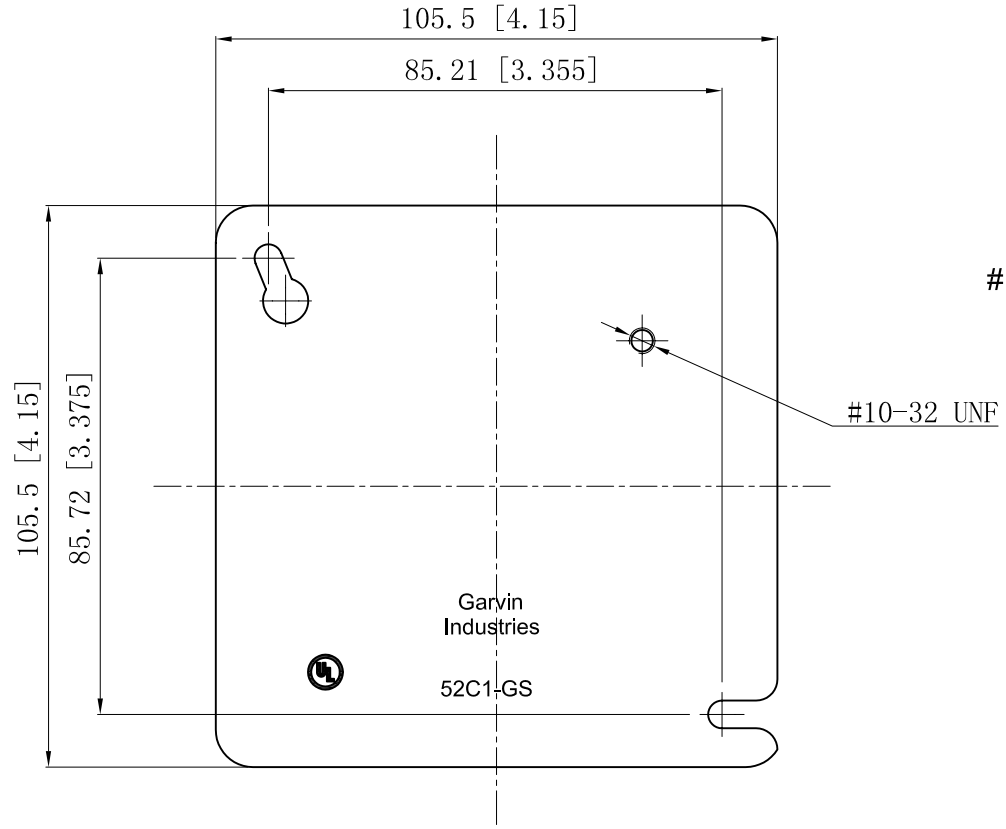
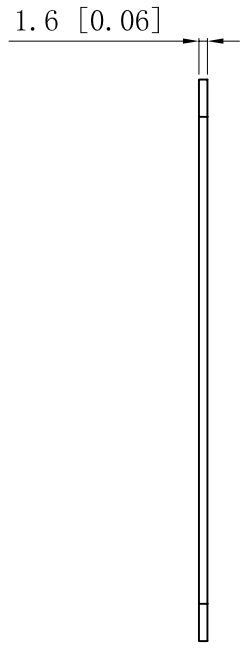


SIDES	BOTTOM
1 Pcs #10-32×3/8 screw install, green zinc plated	
Material:Steel-0.0625"-G60 Galvanized	



DESCRIPTION
TRADE REFERENCE TERMS

This data sheet is for reference only .GARVIN INDUSTRIES reserves the right to make changes to the design without prior notice.

STANDARD PACKING
50 PCS

GARVIN INDUSTRIES		
TITLE 4" SQUQRE-TO-ROUND DEVICE RINGS		
SIZE A4	DWG NO. 52C1-GS	REV
DATA SHEET		