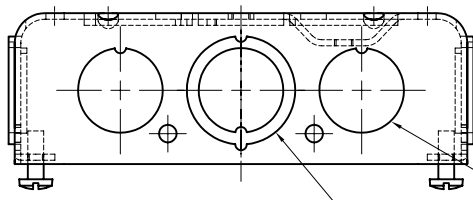


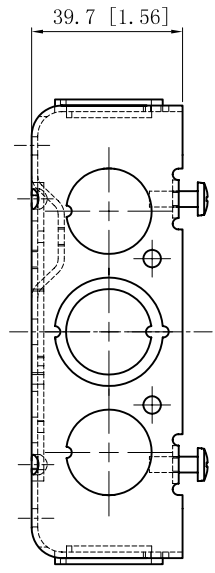
SIDES	BOTTOM
8 1/2" KNOCKOUTS	2 1/2" KNOCKOUTS
4 1/2"-3/4" MOON KNOCKOUTS	2 3/4" KNOCKOUTS
	1 Ground Hump
2 PCS 8-32×1/2 Screws Installed	
Material: Steel-0.0625"-G60 Galvanized	



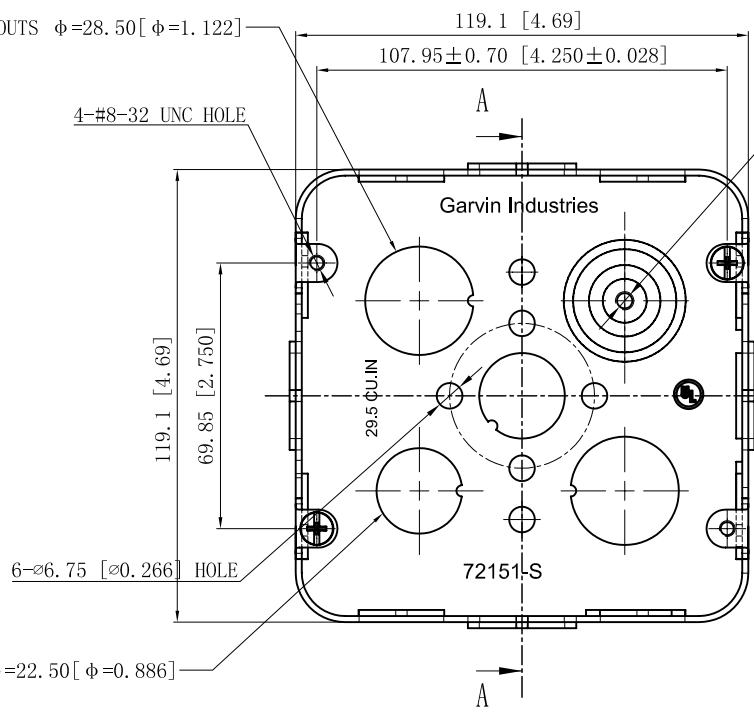
8 1/2" KNOCKOUTS  $\phi=22.50$  [ $\phi=0.886$ ]  
(FOUR SIDE)

4 1/2"-3/4" KNOCKOUTS  $\phi=22.50$  [ $\phi=0.886$ ]  
 $\phi=28.50$  [ $\phi=1.122$ ] (FOUR SIDE)

2 3/4" KNOCKOUTS  $\phi=28.50$  [ $\phi=1.122$ ]



39.7 [1.56]



119.1 [4.69]

107.95 ± 0.70 [4.250 ± 0.028]

4-#8-32 UNC HOLE

#10-32 UNF HOLE

#8-32, × 2

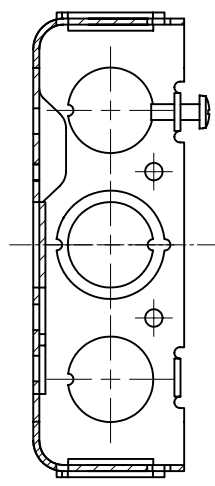
Garvin Industries

29.5  $\phi$ . IN

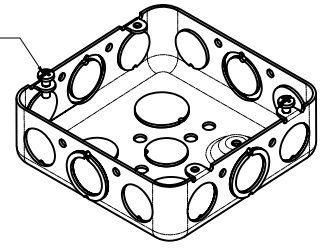
72151-S

6- $\phi$ 6.75 [ $\phi$ 0.266] HOLE

2 1/2" KNOCKOUTS  $\phi=22.50$  [ $\phi=0.886$ ]



CUTAWAY VIEW A-A



DESCRIPTION
TRADE REFERENCE TERMS

STANDARD PACKING
25 PCS

This data sheet is for reference only. GARVIN INDUSTRIES reserves the right to make changes to the design without prior notice.

<b>GARVIN INDUSTRIES</b>		
TITLE 4-11/16" SQUARE BOXS & EXTENSION RINGS (1-1/2")		
SIZE A4	DWG NO. 72151-S	REV B
DATA SHEET		