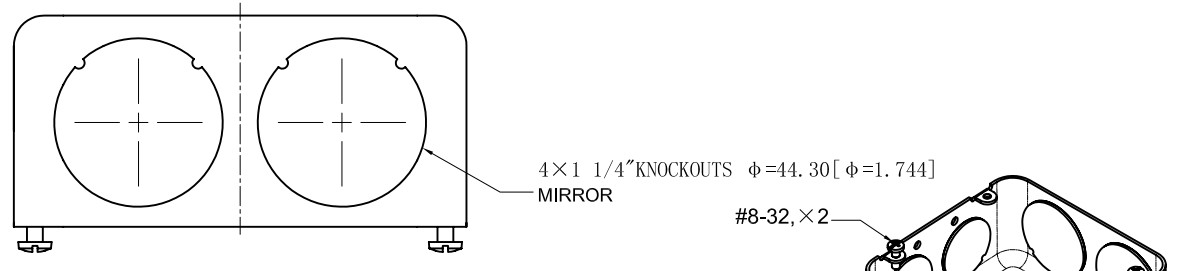
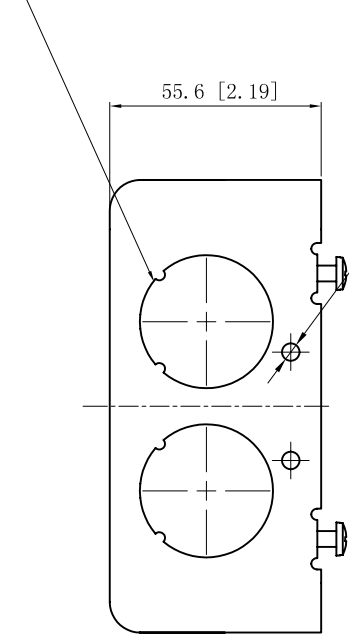


SIDES	BOTTOM
4 1" KNOCKOUTS	2 1/2" KNOCKOUTS
4 1 1/4" KNOCKOUTS	2 3/4" KNOCKOUTS
	1 Ground Hump
2 PCS 8-32x1/2 Screws Installed	
Material: Steel-0.0625"-G60 Galvanized	



4x1" KNOCKOUTS $\phi=35.00$ [$\phi=1.378$]
MIRROR

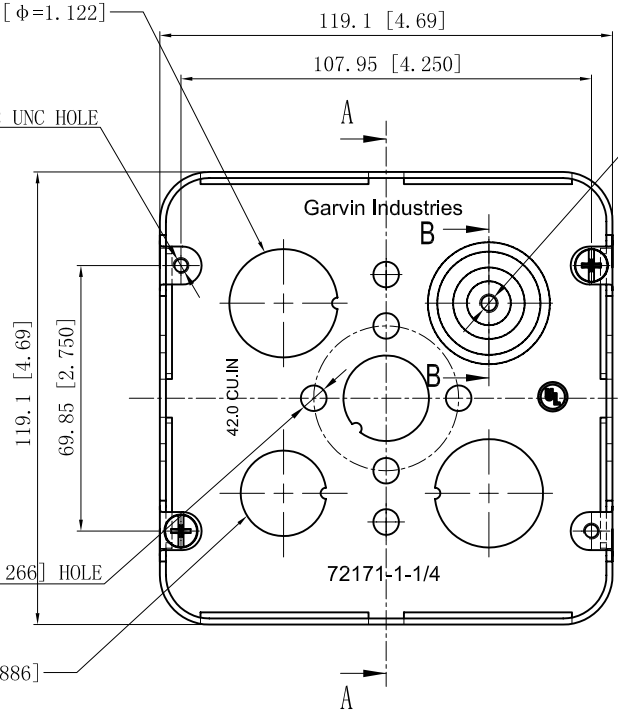


2x3/4" KNOCKOUTS $\phi=28.50$ [$\phi=1.122$]

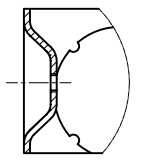
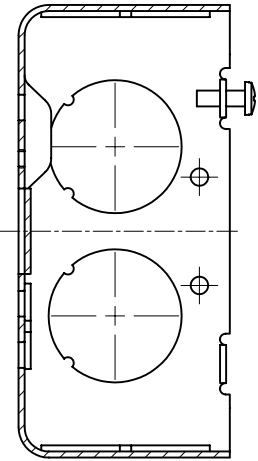
4-#8-32 UNC HOLE

6- $\phi 6.75$ [$\phi 0.266$] HOLE

2x1/2" KNOCKOUTS $\phi=22.50$ [$\phi=0.886$]



#10-32 UNF HOLE



DESCRIPTION
TRADE REFERENCE TERMS

This data sheet is for reference only. GARVIN INDUSTRIES reserves the right to make changes to the design without prior notice.

STANDARD PACKING	GARVIN INDUSTRIES		
25 PCS	SIZE	DWG NO.	REV
	A4	72171-1-1/4	B
DATA SHEET			