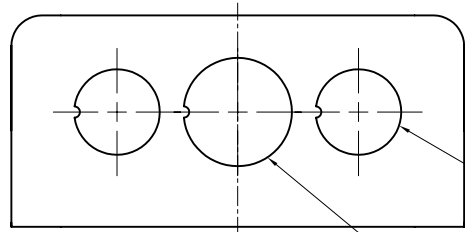


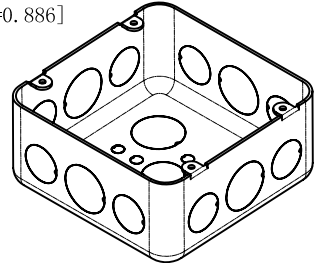
| SIDES | BOTTOM |
|------------------|------------------|
| 8 1/2" KNOCKOUTS | 6 KNOCKOUTS |
| 4 3/4" KNOCKOUTS | 3 1/2" KNOCKOUTS |
| | 2 3/4" KNOCKOUTS |

Material: Steel-0.0625"-G60 Galvanized

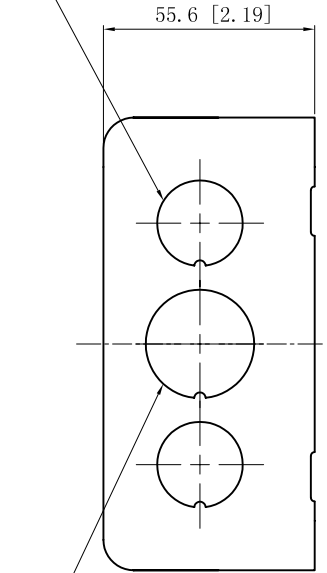


4×1/2" KNOCKOUTS $\phi=22.50$ [$\phi=0.886$]
MIRROR

2×3/4" KNOCKOUTS $\phi=28.50$ [$\phi=1.122$]
MIRROR



4×1/2" KNOCKOUTS $\phi=22.50$ [$\phi=0.886$]
MIRROR



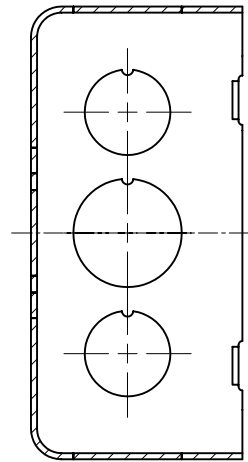
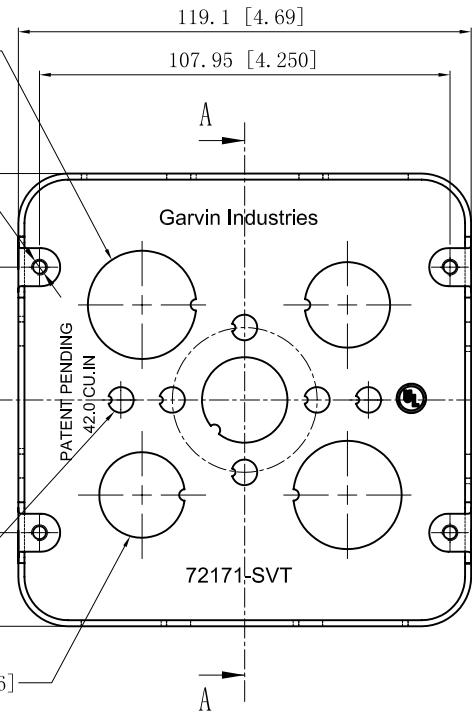
2×3/4" KNOCKOUTS $\phi=28.50$ [$\phi=1.122$]

4-#8-32 UNC HOLE

6× KNOCKOUTS $\phi=6.75$ [$\phi=0.266$]

3×1/2" KNOCKOUTS $\phi=22.50$ [$\phi=0.886$]

2×3/4" KNOCKOUTS $\phi=28.50$ [$\phi=1.122$]
MIRROR



CUTAWAY VIEW A-A

| DESCRIPTION |
|-----------------------|
| |
| TRADE REFERENCE TERMS |
| |

This data sheet is for reference only. GARVIN INDUSTRIES reserves the right to make changes to the design without prior notice.

| |
|------------------|
| STANDARD PACKING |
| 25 PCS |

| | | |
|--|----------------------|----------|
| <h1>GARVIN INDUSTRIES</h1> | | |
| TITLE 4-11/16" SQUARE "DRAWN" BOXES (2-1/8" DEEP) | | |
| SIZE A4 | DWG NO. 72171-SVT | REV A |
| DATA SHEET | | |