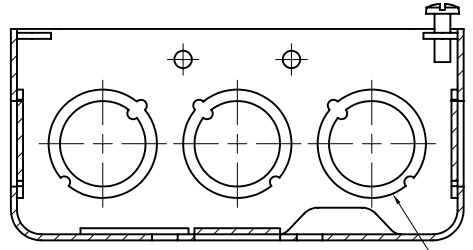
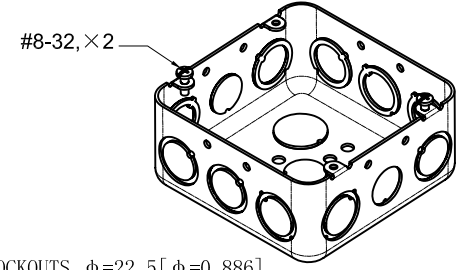


SIDES	BOTTOM
2 3/4" KNOCKOUTS	2 1/2" KNOCKOUTS
10 1/2"-3/4" MOON KNOCKOUTS	2 3/4" KNOCKOUTS
	1 Ground Hump
2 PCS 8-32x1/2 Screws Installed	
Material: Steel-0.0625"-G60 Galvanized	

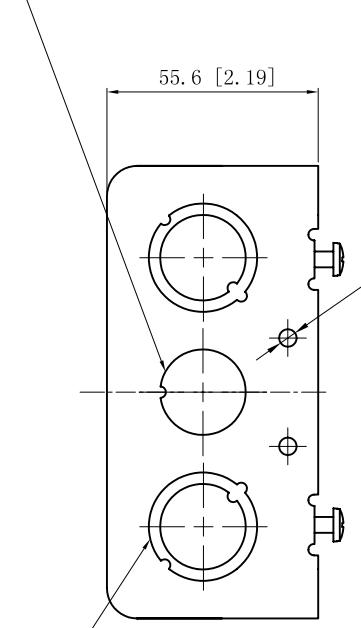


CUTAWAY VIEW C-C



#8-32, x2

2x1/2" KNOCKOUTS $\phi=22.50$ [$\phi=0.886$]
MIRROR



2x3/4" KNOCKOUTS $\phi=28.50$ [$\phi=1.122$]

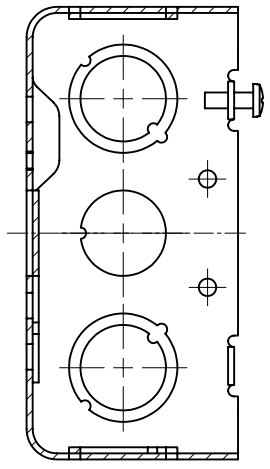
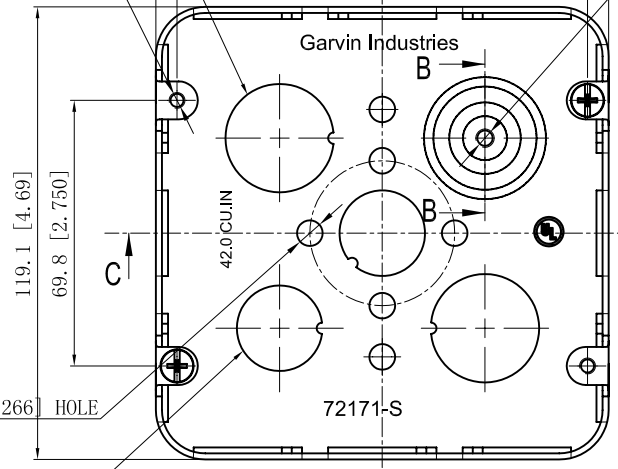
4-#8-32 UNC HOLE

8- $\phi 4.2$ [$\phi 0.17$] HOLE

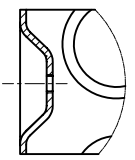
119.1 [4.69]
107.9 [4.250]

6x1/2"-3/4" MOON KNOCKOUTS $\phi=22.5$ [$\phi=0.886$]
 $\phi=28.5$ [$\phi=1.122$] MIRROR

#10-32 UNF HOLE



CUTAWAY VIEW A-A



CUTAWAY VIEW B-B

2x1/2" KNOCKOUTS $\phi=22.50$ [$\phi=0.886$]
4x1/2"-3/4" MOON KNOCKOUTS $\phi=22.5$ [$\phi=0.886$]
 $\phi=28.5$ [$\phi=1.122$] MIRROR

DESCRIPTION
TRADE REFERENCE TERMS

This data sheet is for reference only. GARVIN INDUSTRIES reserves the right to make changes to the design without prior notice.

STANDARD PACKING
25 PCS

GARVIN INDUSTRIES		
TITLE 4-11/16" SQUARE "DRAWN" BOXES (2-1/8" DEEP)		
SIZE A4	DWG NO. 72171-S	REV A
DATA SHEET		