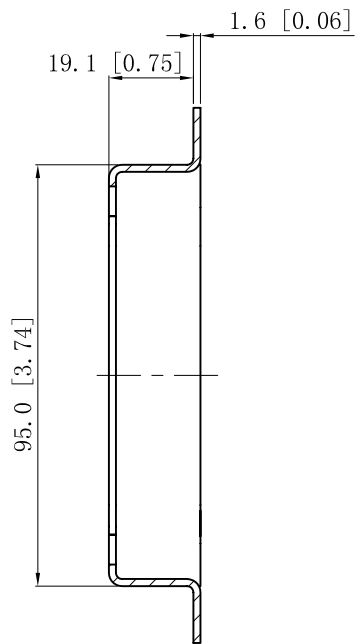
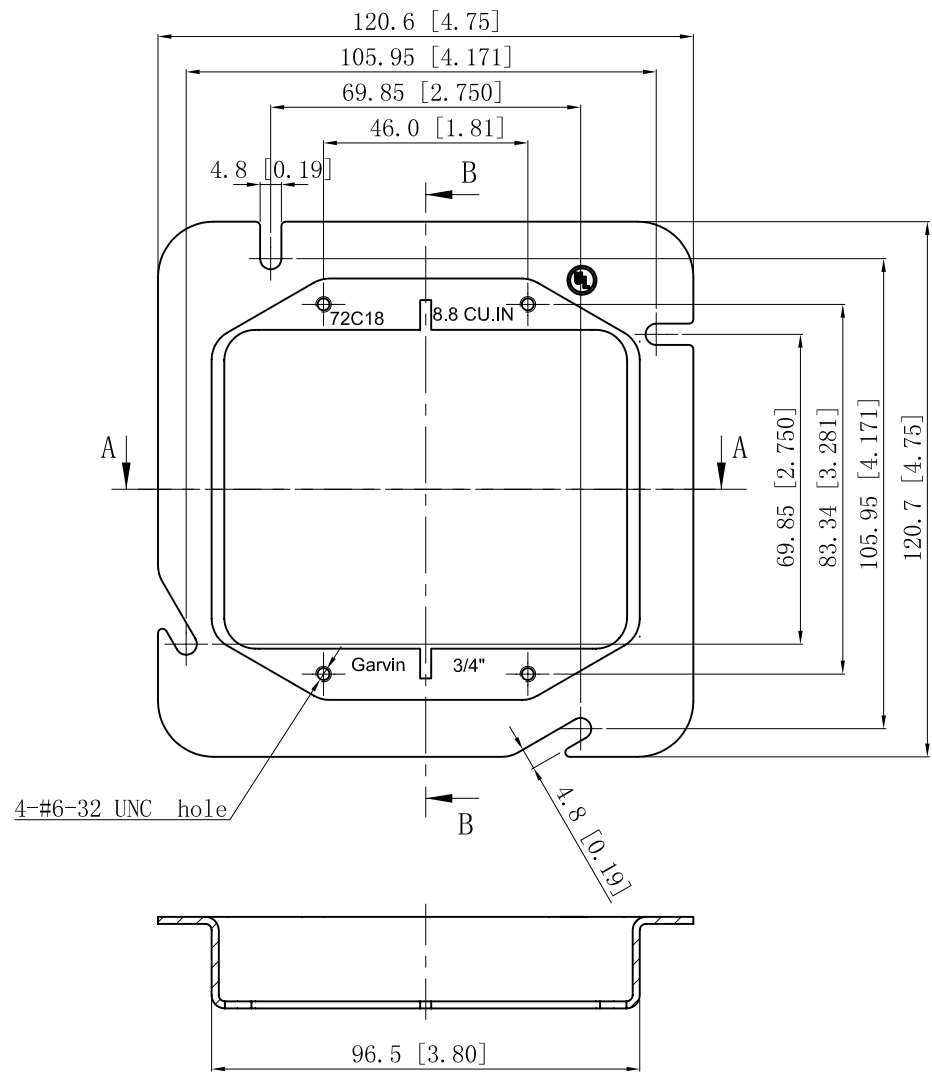


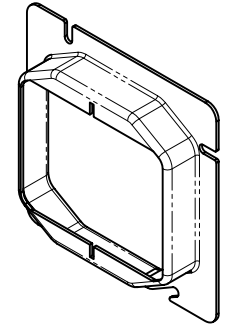
SIDES	BOTTOM
Material: Steel-0.0625"-(G60 or C. R. S) Galvanized	



CUTAWAY VIEW B-B



CUTAWAY VIEW A-A



DESCRIPTION
TRADE REFERENCE TERMS

This data sheet is for reference only .GARVIN INDUSTRIES reserves the right to make changes to the design without prior notice.

STANDARD PACKING	<h1 style="text-align: center;">GARVIN INDUSTRIES</h1>		
25 PCS			
	TITLE	4-11/16" SQUARE TWO-DEVICE COVERS	
	SIZE	DWG NO.	REV
	A4	72C18	A
	DATA SHEET		