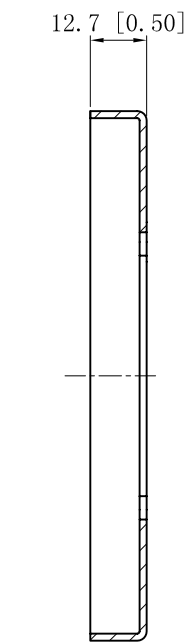
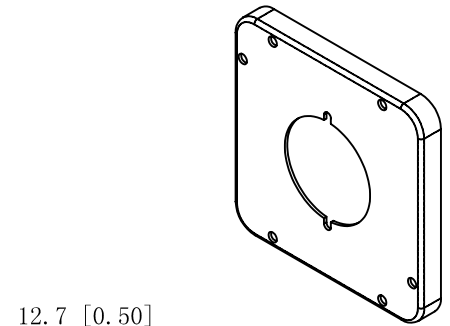
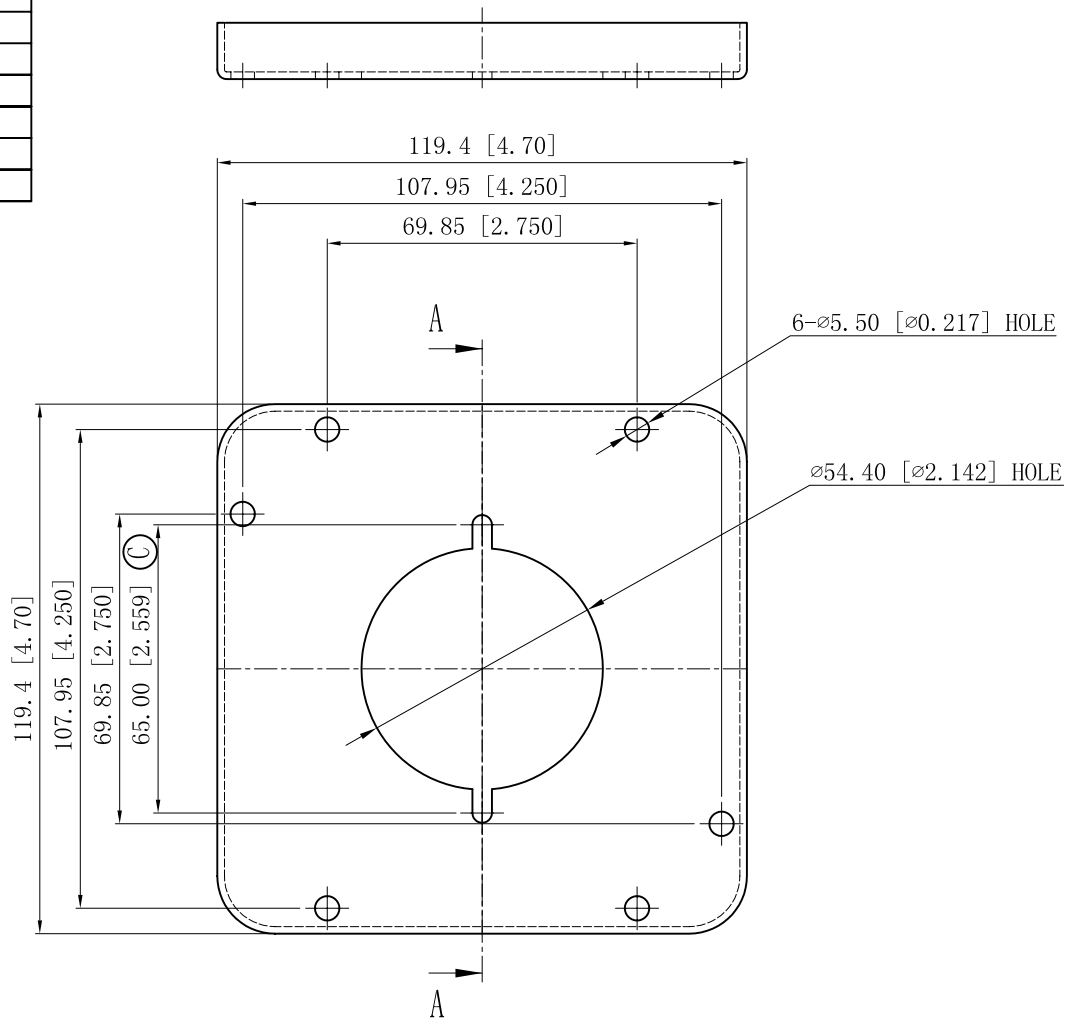


SIDES	BOTTOM
2 PCS 6-32×5/16 Screws Pack In Poly-bag Sepwrtely	
4 PCS 8-32×1 Screws Pack In Poly-bag Sepwrtely	
2 PCS 6-32 Nut Pack In Poly-bag Sepwrtely	
Material:Steel-0.0625"-G60 Galvanized	



CUTAWAY VIEW A-A

This data sheet is for reference only .GARVIN INDUSTRIES reserves the right to make changes to the design without prior notice.

DESCRIPTION
TRADE REFERENCE TERMS

STANDARD PACKING
25 PCS

GARVIN INDUSTRIES			
TITLE 4-11/16" INDUSTRIAL "GARVIN" COVERS			
SIZE A4	DWG NO. 72C44	REV C	
DATA SHEET			