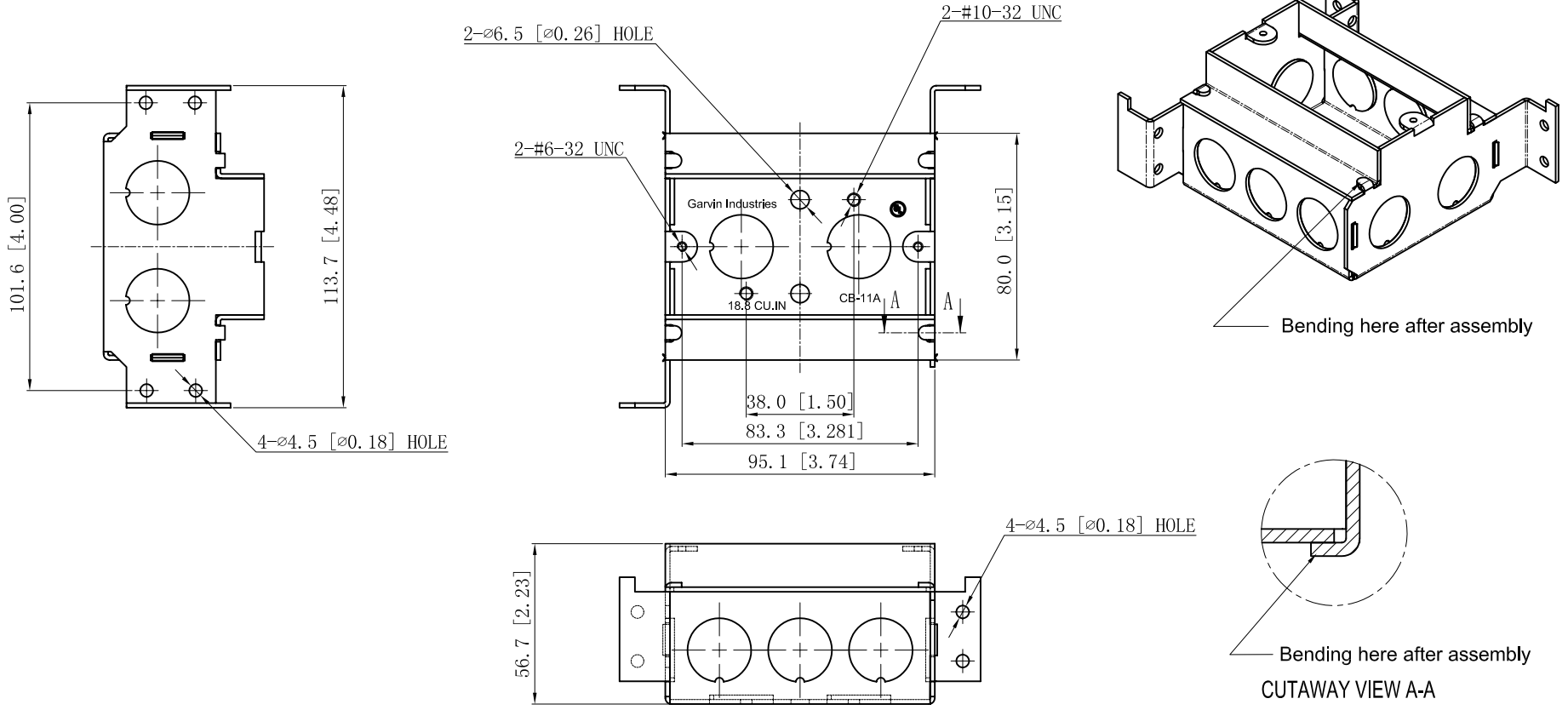


SIDES	BOTTOM
10 1/2" KNOCKOUTS	2 1/2" KNOCKOUTS
Material: Steel-0.0625"-G60 Galvanized	



DESCRIPTION
TRADE REFERENCE TERMS

This data sheet is for reference only .GARVIN INDUSTRIES reserves the right to make changes to the design without prior notice.

STANDARD PACKING	GARVIN INDUSTRIES		
25 PCS	TITLE 4-WAY BRACKET BOX WITH BUILT-IN 1/2" PLASTER RING		
	SIZE A4	DWG NO. CB-11A	REV A
DATA SHEET			