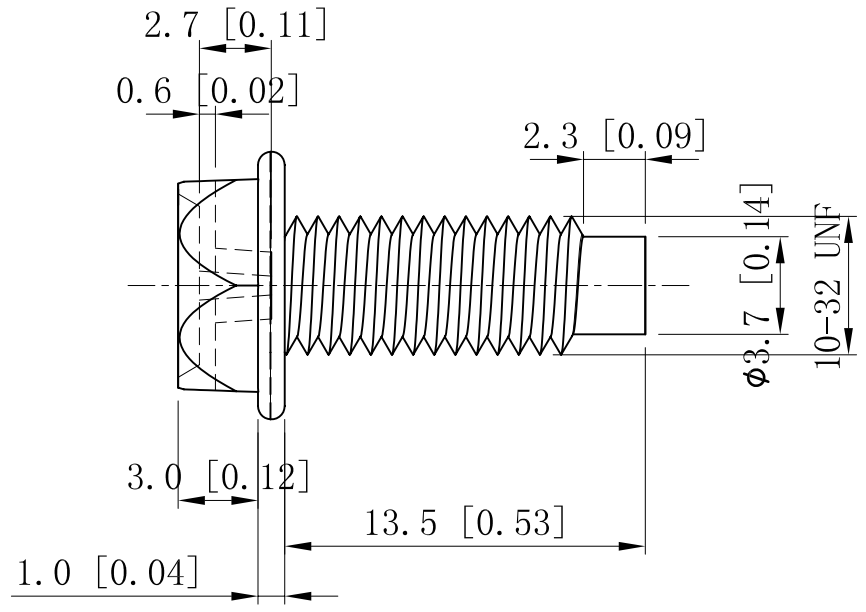
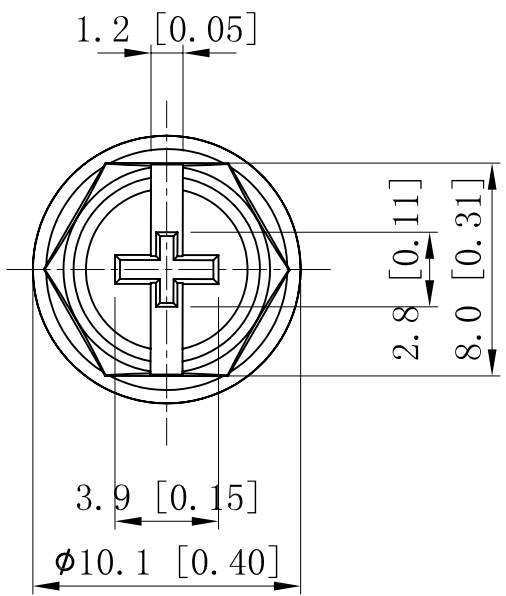


SIDES	BOTTOM
Material: low carbon steel, green zinc plated	



This data sheet is for reference only .GARVIN INDUSTRIES reserves the right to make changes to the design without prior notice.

DESCRIPTION
TRADE REFERENCE TERMS

STANDARD PACKING
100 PCS

GARVIN INDUSTRIES		
TITLE		
SIZE	DWG NO.	REV
A4	GS	
DATA SHEET		