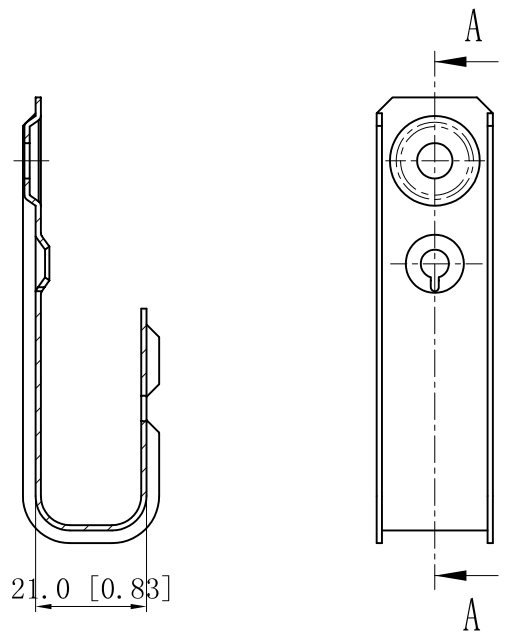
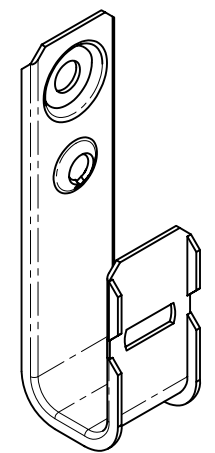
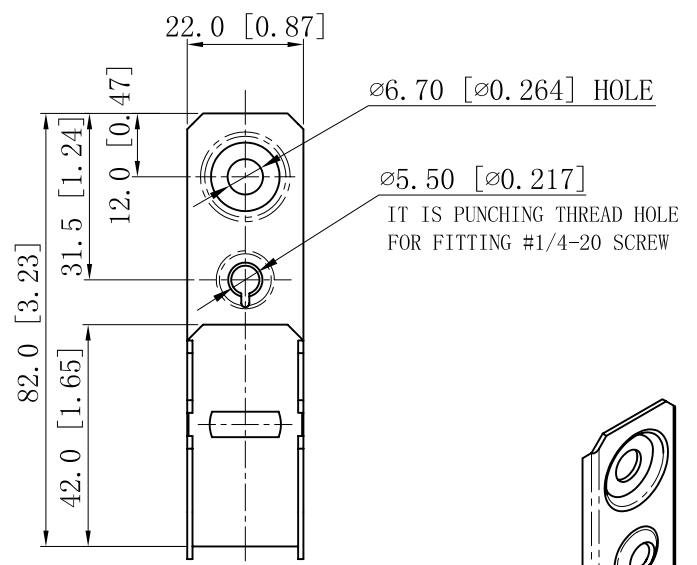
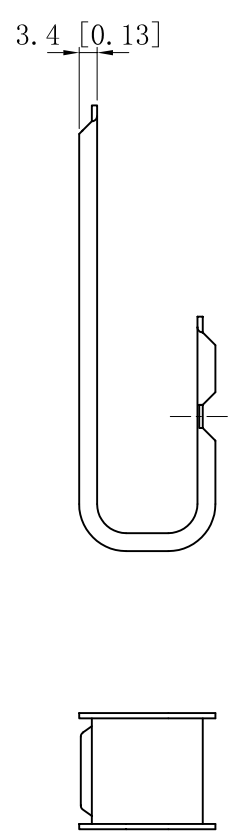


SIDES	BOTTOM
Material:Steel-0.039"-G60 Galvanized	



CUTAWAY VIEW A-A



DESCRIPTION
TRADE REFERENCE TERMS

This data sheet is for reference only .GARVIN INDUSTRIES reserves the right to make changes to the design without prior notice.

STANDARD PACKING	<h1 style="text-align: center;">GARVIN INDUSTRIES</h1>			
50 PCS				TITLE
	SIZE	DWG NO.	REV	
	A4	JHK-12		
		DATA SHEET		