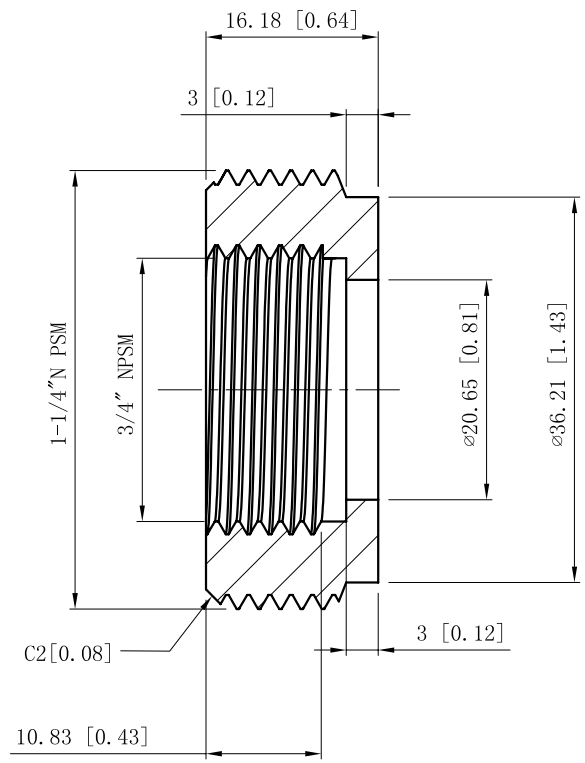
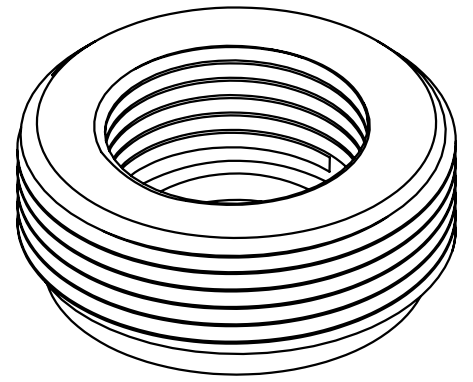
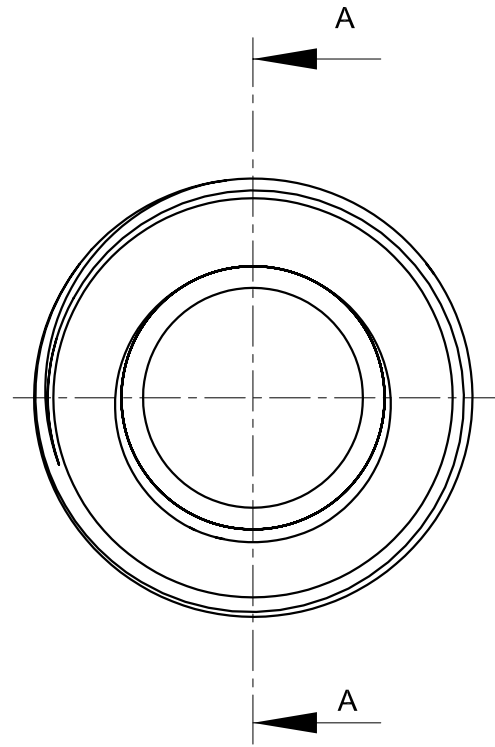


SIDES	BOTTOM
Material:Steel-(C1008-1018) Zinc Plated	



VIEW A-A



DESCRIPTION
TRADE REFERENCE TERMS

This data sheet is for reference only .GARVIN INDUSTRIES reserves the right to make changes to the design without prior notice.

STANDARD PACKING
20 PCS

GARVIN INDUSTRIES		
TITLE STEEL REDUCING BUSHING		
SIZE A4	DWG NO. RB12575	REV
DATA SHEET		