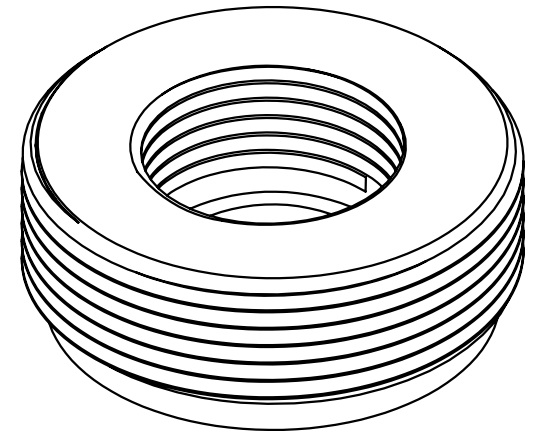
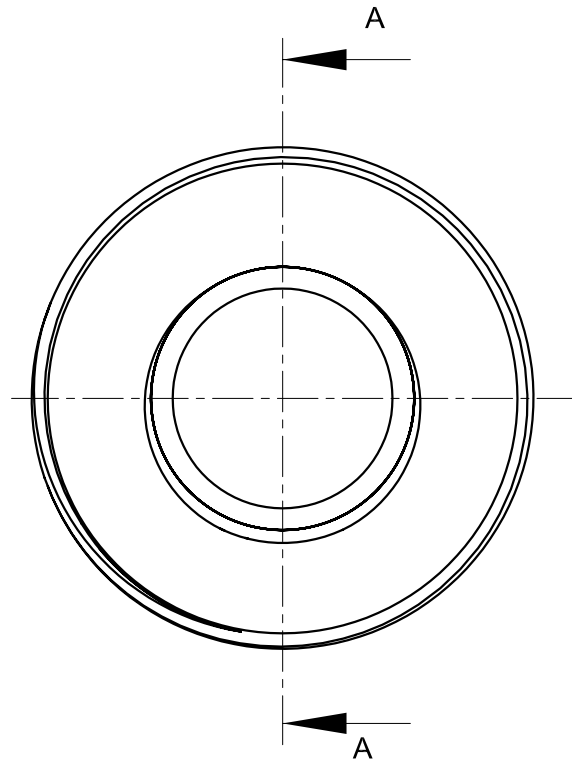
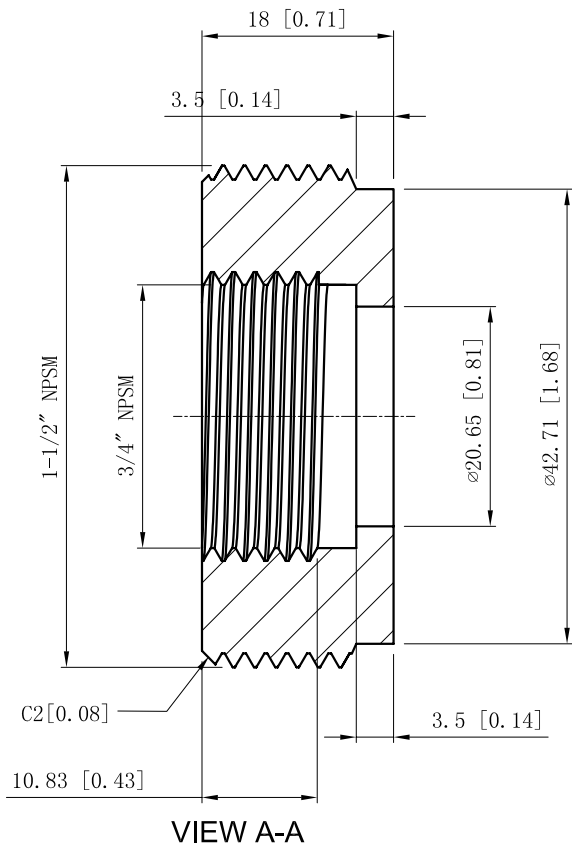


|   |        |
|---|--------|
| SIDES                                   | BOTTOM |
|   |        |
|   |        |
|   |        |
| Material:Steel-(C1008-1018) Zinc Plated |        |



|                       |
|-----------------------|
| DESCRIPTION           |
|                       |
| TRADE REFERENCE TERMS |
|                       |

This data sheet is for reference only .GARVIN INDUSTRIES reserves the right to make changes to the design without prior notice.

|                  |                                 |                    |     |
|------------------|---------------------------------|--------------------|-----|
| STANDARD PACKING | GARVIN INDUSTRIES               |                    |     |
| 10 PCS           | TITLE<br>STEEL REDUCING BUSHING |                    |     |
|                  | SIZE<br>A4                      | DWG NO.<br>RB15075 | REV |
|                  | DATA SHEET                      |                    |     |